

# Type **TVR61**

Check valve

of brass



General

**DESCRIPTION**



**Features**

- Brass
- Full flow, high flow rate
- Minimum pressure loss
- Compact dimensions
- Average leak tightness
- Low-noise opening and closing

The check valves of the series type TVR61 are featuring low-noise operation and have a high flow rate. The valves can be installed in any position. Only the flow direction must be considered.

TVR61 check valves are equipped with a FKM seal as standard. Other sealing materials on request. It is the customer's responsibility to clarify the media compatibility.

**Application**

Hydraulic (oils of fluid group 2 within the meaning of the Pressure Equipment Directive 2014/68/EU) and pneumatic applications in plant engineerings, also suitable for systems with submersible pumps and pressure vessels as well as air conditioning systems, heating systems etc.

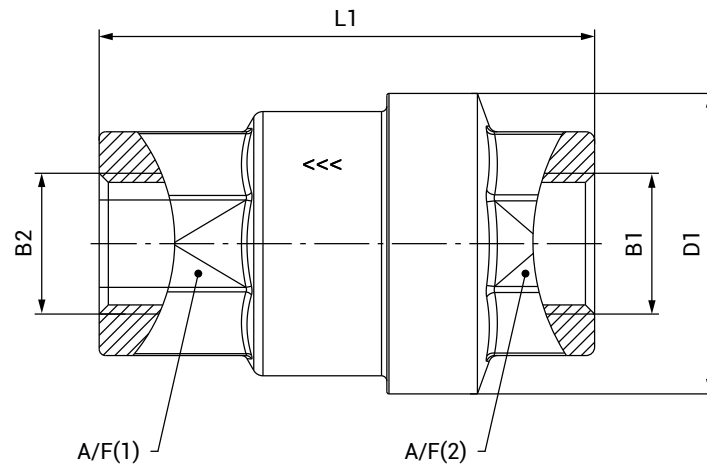
**TECHNICAL DATA**

Characteristics	Basic version	Options
Media inlet B1 / media outlet B2	Internal thread: G1/4" - G2"	Internal thread: up to max. G4" on request
Nominal bore DN	8 up to 50 mm, acc. to design	Up to max. 100 mm on request
Max. allowable operating pressure PS	40 bar, acc. to design	On request
Cracking pressure PC	Min. 0.025 bar	
Temperature range	-20 °C up to max. +100 °C, acc. to application	
Material	Housing of brass, inner parts of plastic	
Spring material	Stainless steel	
Sealing material	FKM	NBR on request
Sealing concept	Cone seal	

Ordering

**ORDERING** | TVR61 Check valve with internal thread on both sides (DIN EN ISO 228-1)

approx. dimensions (mm)



Part No.	DN	B1 (internal thread)	B2 (internal thread)	PS (bar)	PC (bar)	L1	D1	A/F(1) / A/F(2)
C1-89289	8	G1/4"	G1/4"	40	0.025	46.5	28.0	21
C1-89290	10	G3/8"	G3/8"	40	0.025	46.5	28.0	21
C1-89292	15	G1/2"	G1/2"	40	0.025	48.0	34.0	26
C1-89293	20	G3/4"	G3/4"	30	0.025	59.0	41.5	32
C1-89294	25	G1"	G1"	30	0.025	67.0	50.0	39
C1-89295	32	G1 1/4"	G1 1/4"	25	0.025	76.0	60.5	49
C1-89296	40	G1 1/2"	G1 1/2"	25	0.025	90.0	73.5	56
C1-89297	50	G2"	G2"	20	0.025	101.0	89.0	69

Other connection sizes and versions on request.

Required information for request / ordering see page 5, catalogue no. 45.

## Other products

## OTHER PRODUCTS

You will find more products in our current catalogue no. 45



Further information on our homepage  
[www.weh.com](http://www.weh.com)

**Illustrations**

The illustrations and/or images used in this data sheet are particularly provided for illustrative purposes only and may differ in some details from the actual product. For binding information, please refer to your individual orders.

**Abbreviations/Definition**

Explanation of abbreviations see technical appendix in the catalogue or [www.weh.com](http://www.weh.com)

**Safe product selection**

Our WEH® Products are designed to be operated by qualified professional users (insofar as WEH® Products are also designed to be operated by other users in individual cases, this is explicitly stated in the corresponding operating instructions). You alone are responsible for the selection of WEH® Products and their configuration according to the requirements of your system. In doing so, please particularly consider your intended use, your performance data, your material compatibility, your system concept and your system limits as well as your technical and legal requirements for operation, handling and maintenance. The quality and safety of WEH® Products is our highest priority. For this reason, WEH® Products may not be used outside the specifications in the relevant data sheets and product descriptions. We also strongly recommend that you refrain from using third-party spare parts or a combination of WEH® Products with unsuitable third-party products. You alone are responsible for reviewing the suitability of third-party products. WEH® Products and WEH® Spare parts comply with our quality and safety standards.

**Explanation on the Pressure Equipment Directive**

These WEH® Products are generally and exclusively classified as pressure accessories for piping in accordance with Article 2 (5) of the Pressure Equipment Directive 2014/68/EU. These WEH® Products may not be used (i) as safety accessories or (ii) for vessels as defined by the Pressure Equipment Directive 2014/68/EU. Therefore, the application of these WEH® Products must comply with their classification as pressure accessories for piping. The assessment with regard to a different classification can, however, be made on request.

**External change management**

WEH reserves the right to update, optimise and adjust its products continuously. This may result in corresponding changes of the product. Customers will be informed proactively or unsolicited by WEH only in individual cases about product updates, product optimisations and/or product adaptations that have been carried out. You are free to contact WEH at any time to request information about any product updates, product optimisations and/or product adjustments.

© All rights reserved, WEH GmbH. Any unauthorized use is strictly forbidden. Subject to alteration.  
No liability will be assumed for any content. Herewith previous versions are no longer valid.

**» Contact**

For queries and further information, please do not hesitate to contact us.

Manufacturer:

**WEH GmbH Precision Connectors**

Josef-Henle-Str. 1  
89257 Illertissen / Germany

Phone: +49 7303 9609-0

Email: [sales@weh.com](mailto:sales@weh.com)

[www.weh.com](http://www.weh.com)