

CYL-2 Series

Two-stage Brass Cylinder Gas Pressure Reducing Regulator



The CYL-2 Series is a precision two-stage regulator well suited for instrumentation applications requiring a precise and stable pressure source. This pressure regulator was developed to meet the needs of the instrumentation industry, but is also well suited for other applications requiring precision pressure supply.

The development of this series provides the maximum flexibility that is available in any cylinder regulator. This means that you can select optional diaphragm materials for maximum sensitivity with Teflon®-lined stainless steel being standard.

Features & Specifications

- Brass construction
- 1st stage integral 20 micron filter and 2nd stage integral 40 micron filter
- Teflon®-lined stainless steel diaphragm in both stages
- Tefzel® seats are standard
- 2" diameter brass gauges
- CGA inlet fitting
- Optional relief valves and shut off valves
- Maximum inlet pressure: 3600 psig
- Outlet pressure ranges 0–10 psig, 0–25 psig, 0–50 psig, 0–100 psig, 0–250 psig and 0–500 psig
- Fluid media; non-corrosive gases
- Cv flow coefficients: 0.06, 0.025, 0.20, 0.50
- Operating temperatures: –40° F to +175° F (–40° C to +80° C)
- ¼" FNPT inlet/outlet connections

pressure regulators

GO Regulator

405 Centura Court • PO Box 4866 (29305) • Spartanburg, SC 29303

Phone (864) 574-7966 Fax (864) 574-5608

www.goreg.com • sales@goreg.com

CYL-2 Series

How to Order

Standard items
in bold

C2 - 2 F 1 C 1 1 1 1 1 CGA Fitting **1 A 3 A 3**

BODY MATERIAL

- 2 Brass**
- 8 Chrome-plated brass**

PORT CONFIGURATION

- F Standard**
- For more port configurations, see page 19.

PROCESS PORT TYPES (GAUGE PORT TYPE, IF SPECIFIED)

- 1 1/4" FNPT (1/4" FNPT gauge ports)**
- 4 3/8" FNPT (1/4" FNPT gauge ports)**

OUTPUT RANGE

- C 0-10 psig**
- D 0-25 psig**
- E 0-50 psig**
- G 0-100 psig**
- I 0-250 psig**
- J 0-500 psig**

DIAPHRAGM TYPE, 1ST STAGE

- 1 Standard diaphragm**
- 2 Diaphragm-attached poppet**
- 8 Tefzel® ring/stainless steel**
- B Tefzel® ring/stainless steel, diaphragm-attached poppet**

DIAPHRAGM TYPE, 2ND STAGE

- 1 Standard diaphragm**
- 2 Diaphragm-attached poppet**
- 3 Self-relieving**
- 8 Tefzel® ring/stainless steel**
- B Tefzel® ring/stainless steel, diaphragm-attached poppet**

CAP ASSEMBLY, 1ST STAGE

- 1 Tamper-proof**

2ND STAGE Cv FLOW

- 3 0.06**
- 5 0.2**
- C 0.025**
- H 0.5**

2ND STAGE SEAT MATERIAL

- A Tefzel®**
- H PCTFE (formerly Kel-F® 81)**
- I High density Teflon®**
- Q PEEK™, low temperature service, plastic knob**

1ST STAGE Cv FLOW

- 3 0.06**
- 5 0.2**
- C 0.025**
- H 0.5**

1ST STAGE SEAT MATERIAL

- A Tefzel®**
- H PCTFE (formerly Kel-F® 81)**
- I High density Teflon®**
- Q PEEK™**

GAUGES

- 1 Include gauges**
- 2 Omit gauges**
- 3 Customer-supplied**

CGA FITTINGS

- Use '000' to omit CGA
- Use 'CUS' for customer-supplied CGA

CAP ASSEMBLY, 2ND STAGE

- 1 Standard**
- 4 Panel mount**

For a full list of options, visit the selection matrix for this product on www.goreg.com

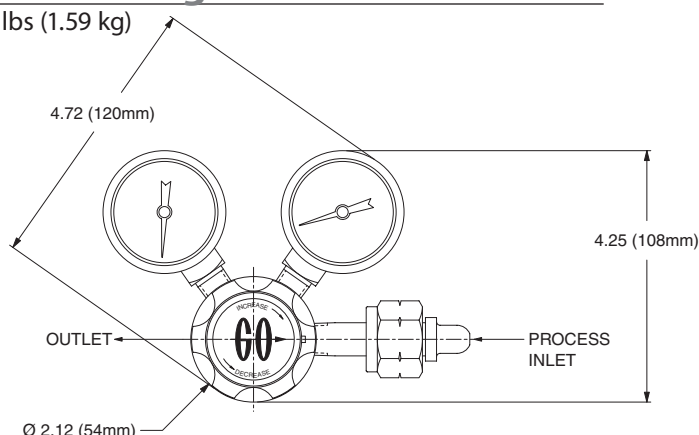
Maximum Temperature & Operating Inlet Pressures

SEAT MATERIAL	MAXIMUM TEMPERATURE	MAXIMUM OPERATING INLET PRESSURE
Tefzel®	150° F (66° C)	@ 3600 psig (24.82 MPa)
High density Teflon®	150° F (66° C)	@ 3600 psig (24.82 MPa)
PCTFE (formerly Kel-F® 81)	175° F (80° C)	@ 3600 psig (24.82 MPa)
Polyimide	175° F (80° C)	@ 3600 psig (24.82 MPa)
PEEK™	175° F (80° C)	@ 3600 psig (24.82 MPa)

NOTE: The choices above represent an abbreviated list of the more commonly ordered options. For a complete listing of all available options, please see the Selection Wizard on the GO website at www.goreg.com or contact the factory.

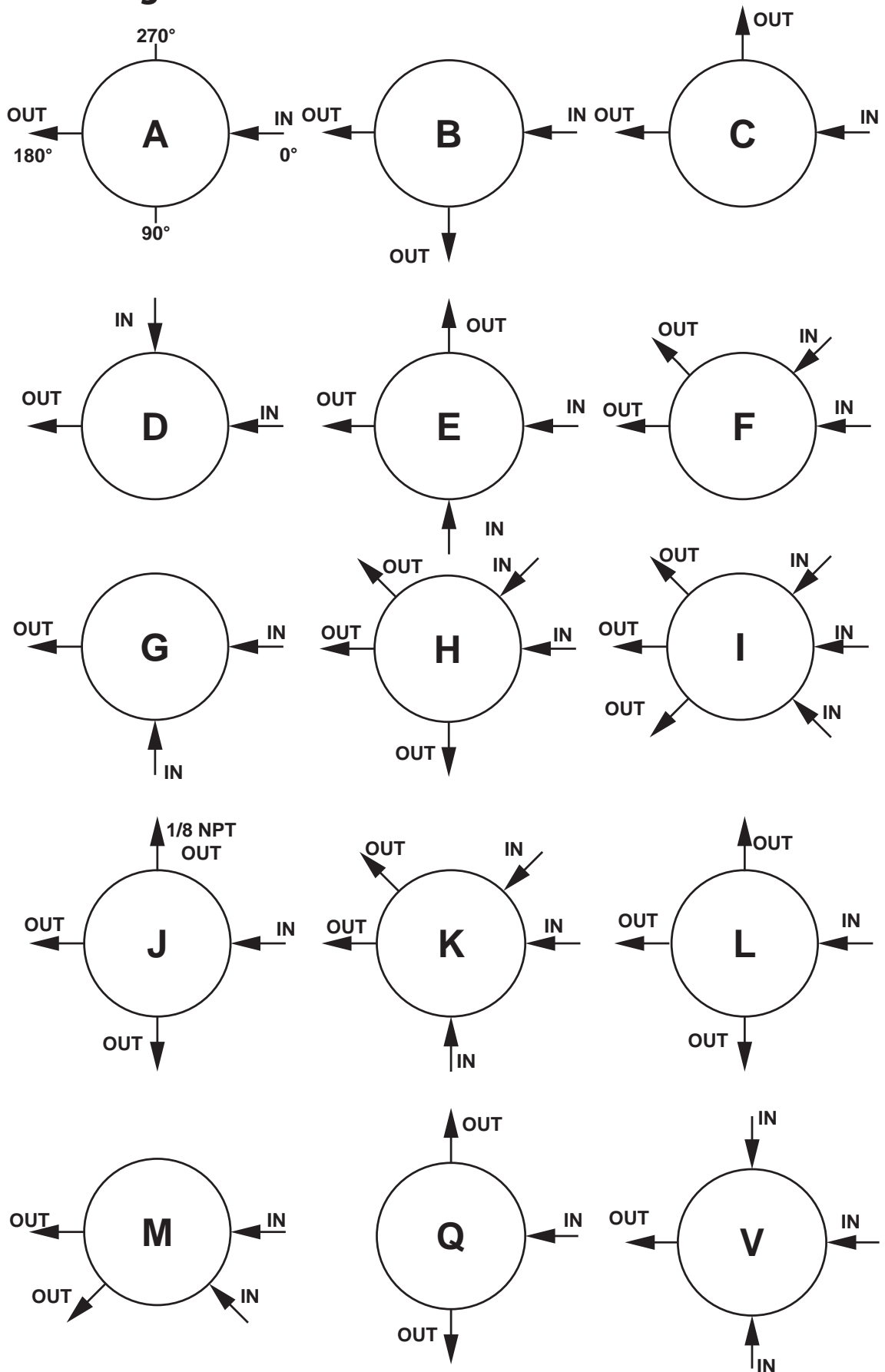
Outline & Mounting Dimensions

Weight = 3.5 lbs (1.59 kg)



Teflon® and Tefzel® are registered trademarks of the DuPont Company.
Kel-F® is a registered trademark of 3M Company.
PEEK™ is a trademark of Victrex PLC.

Porting Configurations for Cylinder Regulators



LOCATION OF PORTS FROM TOP VIEW