



73S Series Selector Valves

Hoke's 73S Series Selector Valves are designed to allow either switching or selection of the fluid stream in process analyzer, instrumentation or gas chromatography applications. A user-convenient 5-way configuration is offered in 316 Stainless Steel as standard. The Hoke 73S Series Valve stands alone in offering a wide range of features including wide temperature range, low dead volume, and a sliding seal concept that not only makes these valves perfect for analytical applications but significantly extends product life as well.



Typical Applications

- Process analyzers
- Gas chromatography
- Instrumentation

Technical Data

MAXIMUM OPERATING PRESSURE	Moderate vacuum to 500 psig (345 bar)
OPERATING TEMPERATURE RANGE	-40° F to 350° F (-40° to 175° C)
PRESSURE AT TEMPERATURE	500 psig @ 70° F, 200 PSIG @ 350° F
ORIFICE SIZES	0.051", 0.093"
Cv FACTORS	0.071 maximum depending on end connection
END CONNECTIONS	1/16" and 1/8" Gyrolok® female NPT

Features & Benefits

- **Low Dead Volume** Increased accuracy in analysis and measurements is the result of maximizing well swept flow volume
- **Wide Temperature Range** Broader applications capability than other brands available
- **Sliding Seal Principle** Excellent performance over a long cycle life
- **O-ring Seals** Reliable, economic sealing while providing the ability to match O-ring materials to the fluid
- **Detent** Confidence of knowing plug is properly aligned because handle clicks into place with side ports
- **On-Off Operation** A zero flow position is located between adjacent side ports
- **Bidirectional Flow** Flexibility is provided by the availability of valve to be used with either a common inlet or outlet
- **Standard Panel Mounting** Convenient for equipment installation

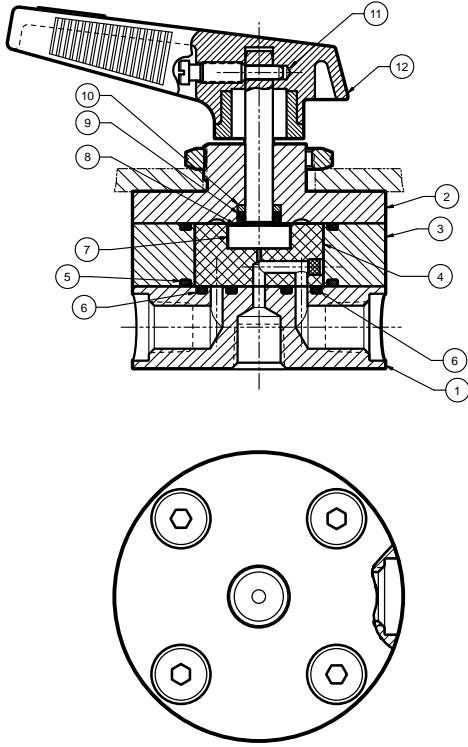
HOKE Incorporated

405 Centura Court • PO Box 4866 • Spartanburg, SC 29303
Phone (864) 574-7966 Fax (864) 587-5608
www.hoke.com • sales@hoke.com

selector valves

73S Series Selector Valves

Materials of Construction



Wetted Parts

	DESCRIPTION	MATERIAL
1	Bottom plate	316 stainless steel
2	Middle plate	316 SST
3	Top plate	316 SST
4	Plug	Arlon® 1330
5	O-ring	Fluoro-elastomer
6	O-ring	Fluoro-elastomer
7	Stem	316 stainless steel
8	Shim	TFE
9	O-ring	Fluoro-elastomer

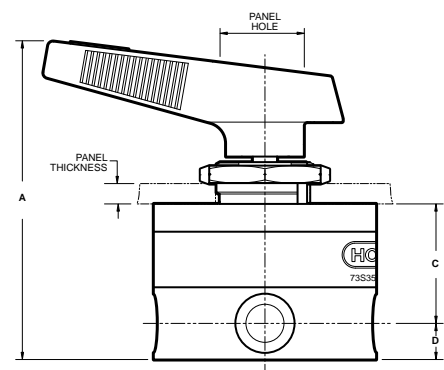
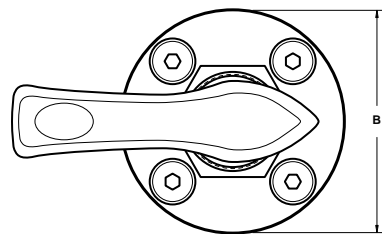
Non-wetted Parts

	DESCRIPTION	MATERIAL
10	Back-up ring	TFE
11	Pin, handle	316 SST
12	Handle	Nylon

Dimensions

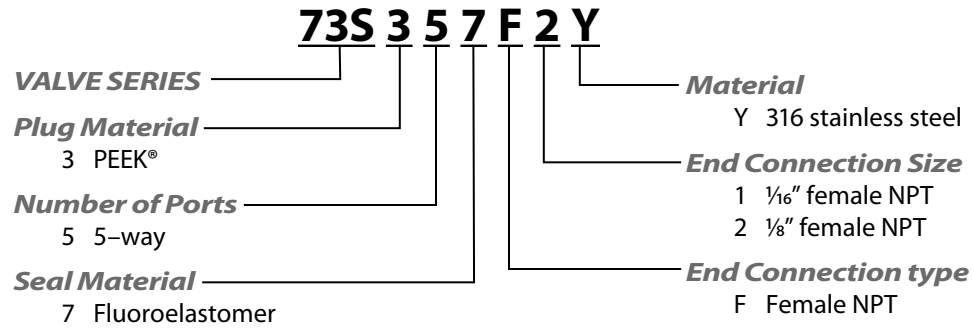
PART NUMBER	ORIFICE	A	B	C	D	PANEL HOLE DIA.	PANEL THICKNESS (MAX)
73S357F2Y	0.093	2.925	2.00	1.08	0.33	0.890	0.187
73S357F1Y	0.093	2.925	2.00	1.08	0.33	0.890	0.187

Note: all dimensions are for reference only



73S Series Selector Valves

How to Order

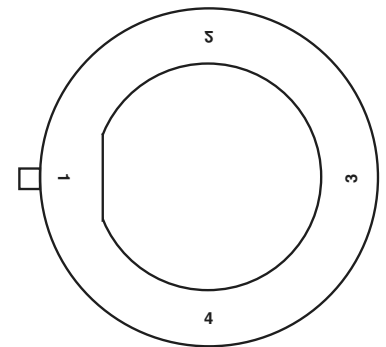


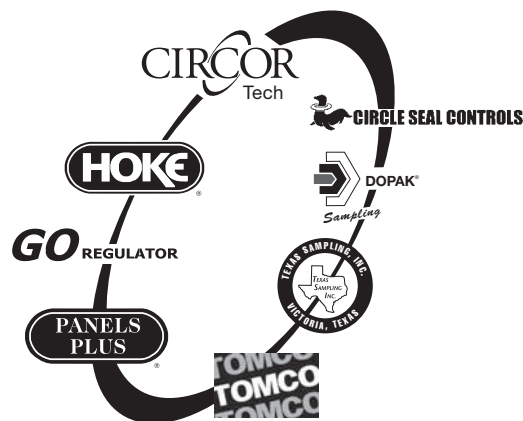
Selector Valve Options

Handle An optional black oval handle is available. Order part number 95683-032. This flat trip-proof handle minimizes the risk of accidental operation while providing visual indication of side port in use.



Indicator Plates Position indicator plates for identification of flow status information when valve is panel mounted are available. Part number 73S35K1





Hoke • GO Regulator • Tomco • CIRCOR Tech

405 Centura Court • PO Box 4866 (29305)

Spartanburg, SC 29303

Tel (864) 574-7966 • Fax (864) 587-5608

www.circortechnologies.com

Hoke Controls / Panels Plus

2054 Francis St.

Ontario, CA 91761

Tel (909) 923-3770

Fax (909) 923-2550

www.circor-panelsplus.com

Dopak Inc.

9572 Kempwood

Houston, Texas 77080

Tel (713) 460-8311

Fax (713) 460-8578

www.dopak.com

Texas Sampling, Inc

3706 Rio Grande

Victoria, Texas 77901

Tel (361) 575-8087

Fax (361) 575-8157

www.texassampling.com

Circle Seal Controls

2301 Wardlow Circle

Corona, CA 92880

Tel (951) 270-6200

Fax (951) 270-6201

www.circlesealcontrols.com

CIRCOR Instrumentation

Technologies

Central Europe

Leeuwenhoekweg 24

2661 CZ Bergschenhoek

The Netherlands

Tel +31 10 4206011 • Fax +31 10 4566774

www.circortechnologies.com

Hoke GmbH

Weitzesweg 11

Postfach 1541

D-61118 Bad Vilbel-Dortelweil

Germany

Tel +49 6101 82 56 0

Fax +49 6101 82 56 40

www.hoke.de

CIRCOR Instrumentation Technologies

CIRCOR Instrumentation Technologies (CIT) is a product group of CIRCOR International (NYSE: CIR), specializing in fluid process control solutions with orifice sizes typically up to 1". Our main product lines include ball, needle, packless, diaphragm, solenoid, and metering valves, pressure regulators, quick couplers, Gyrolok® compression tube fittings, and fully integrated sampling systems.

CIT markets primarily to the petrochemical, refining, power generation, food and beverage, semiconductor, and pharmaceutical industries, and to OEM's. CIT separates itself from the competition by offering highly engineered components manufactured to exacting standards and a variety of custom options.