



2700 Series

Bar Stock, Screwed Bonnet Needle Valves for Sour Gas Service

Featuring packing below the stem threads, nonrotating metal stem tip, hardened thread gland and a 316 stainless steel body, these valves are well suited for sour gas applications as well as other severe service applications.



Typical Applications

- Refineries
- Chemical processing
- Oil and gas exploration

Technical Data

BODY	316 stainless steel
MAXIMUM OPERATING PRESSURE	6000 psig @ 70° F (414 Bar @ 21° C)
OPERATING TEMPERATURE RANGE	-65° to +450° F (-54° to +232° C)
ORIFICE	0.187" (4.8 mm)
Cv FACTOR	0.60
END CONNECTIONS	½" female x ½" female NPT

Features & Benefits

Safety

- Lock pin secures packing nut against accidental removal

Sour gas service

- Materials offer corrosion-resistant properties where hydrogen sulfide is present.

Corrosion resistance

- All wetted parts constructed of high chrome, high nickel austenitic stainless steel provide uniform chemical corrosion properties

Helps eliminate fugitive emissions

- Dyna-Pak® packing below the stem threads prevents fluid from contacting stem threads

Extended cycle life

- Nonrotating 17-4PH stainless steel stem tip and XM-19 stainless steel stem prevent galling

Reliability

- All valves are tested for bubble-tight leakage at both seat and packing
- Special High Tolerance NPT Thread

needle valves

HOKE Incorporated

405 Centura Court • PO Box 4866 • Spartanburg, SC 29303

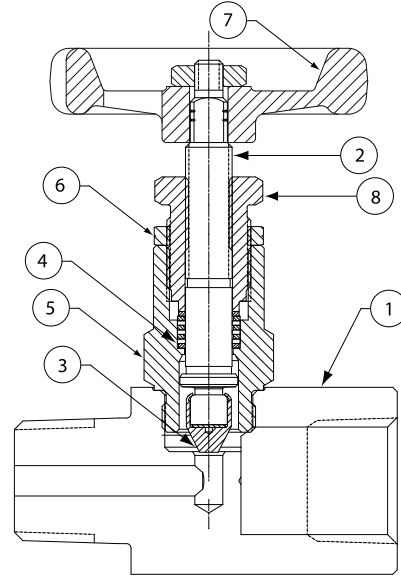
Phone (864) 574-7966 Fax (864) 587-5608

www.hoke.com • sales@hoke.com

2700 Series

Materials of Construction

DESCRIPTION	MATERIALS
1 Body	316 stainless steel
2 Stem	XM-19 stainless steel
3 Stem tip	17-4PH stainless steel
4 Stem packing	TFE/316 stainless steel wafers
5 Bonnet	XM-19 stainless steel
6 Lock nut	316 stainless steel
7 Handle	Aluminum
8 Packing nut	XM-28 stainless steel

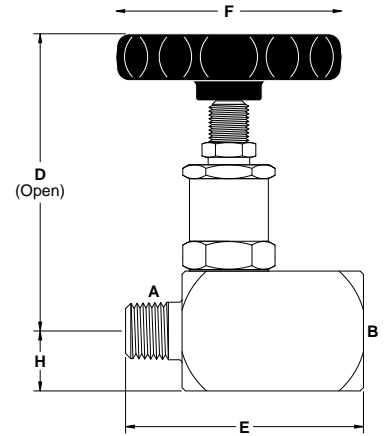


Dimensions

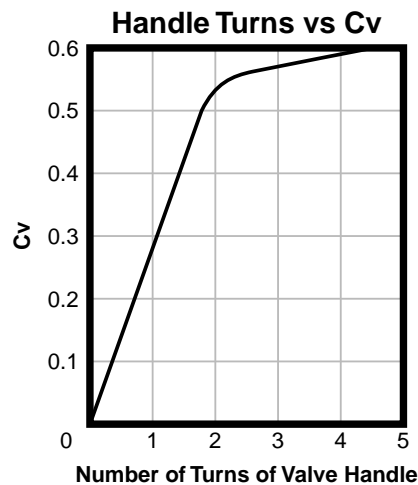
2700 Series: Globe Pattern

INLET A	OUTLET B		D	E	F	H
½" male NPT	½" female NPT	inch	3⅞	2⅞	2⅞	⅝
		mm	78	65	54	16
½" female NPT	½" female NPT	inch	3⅞	2½	2⅞	⅝
		mm	78	64	54	16

Dimensions for reference only, subject to change.

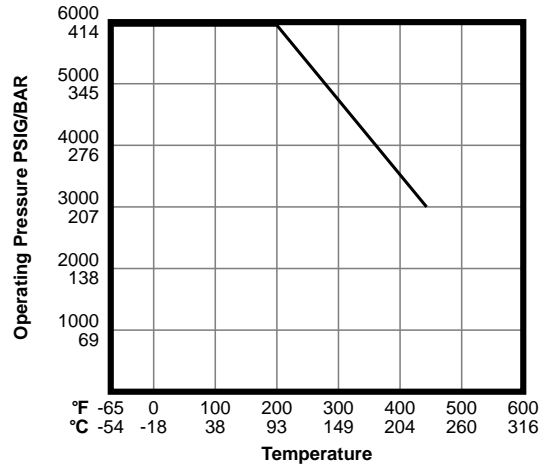


Flow Curve



2700 Series

Pressure vs. Temperature Curve



How to Order: Standard Valves

2700 Series: Globe Pattern

17-4PH stainless steel stem tip
0.187" (4.7mm) orifice/0.60 Cv

END CONNECTIONS		ORDER BY PART NUMBER*
INLET	OUTLET	316 STAINLESS STEEL
½" male NPT	½" female NPT	2732L8YX
½" female NPT	½" female NPT	2732F8YX

* It is the end-user's responsibility to determine if this product is compatible with their sour gas application. Contact HOKE for information concerning properties.



2732L8Y: Globe pattern

FOR YOUR SAFETY

IT IS SOLELY THE RESPONSIBILITY OF THE SYSTEM DESIGNER AND USER TO SELECT PRODUCTS SUITABLE FOR THEIR SPECIFIC APPLICATION REQUIREMENTS AND TO ENSURE PROPER INSTALLATION, OPERATION AND MAINTENANCE OF THESE PRODUCTS. MATERIAL COMPATIBILITY, PRODUCT RATINGS AND APPLICATION DETAILS SHOULD BE CONSIDERED IN THE SELECTION. IMPROPER SELECTION OR USE OF PRODUCTS DESCRIBED HEREIN CAN CAUSE PERSONAL INJURY OR PROPERTY DAMAGE.

Ordering Options

Spare Parts

Spare parts and repair kits are available for all needle valves. Please contact your distributor for specific information.

Cleaning and Testing

When ordering, please specify if oxygen cleaning or helium leak testing is required.

Additional Sizes

Additional sizes and options are available on special request. Please consult your local HOKE distributor.