



# High Cycle Ball Valves

## Index

At a Glance	1
What is "High Cycle"?	
D, DL, T, TL Series	5
High Cycle, Zero Leak Ball Valves	
7223D Series	13
High Performance Rotoball® Valve; Bi-directional Flow	
7 Series	17
2- and 3-Way 3-Piece Bolted Ball Valves	
7 Series—Fire Safe	32
2-way, 3-Piece Bolted Ball Valves	



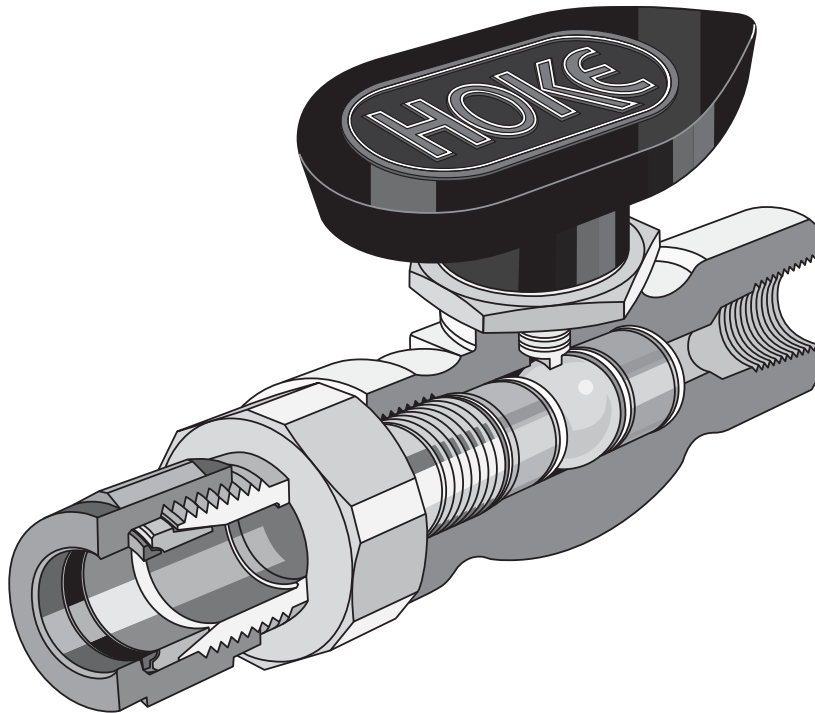
ball valves

### Family Features

- Rated up to 100,000 cycles
- Working pressures up to 6000 psig (414 bar)
- Working temperatures up to 500° F (260° C)
- Wide range of end connections



## High Cycle Ball Valves at a Glance



Hoke High Cycle ball valves are designed for repeatable, zero leakage sealing when control conditions demand valve actuation exceeding 50,000 cycles. Their unique stem- and seat designs provide packless-free operation and ease of maintenance.





Hoke High Cycle ball valves provide a wide range of capabilities for demanding applications. Temperature limits range from -65° F (-54° C) to 500° (260° C). Operating pressure limits run as high as 6000 psig (414 bar) for the D/DL Series valves. Choose a 2-way ball valve for fast, quarter-turn on-off operation. Alternatively, a 3-way ball valve such as the Hoke 7 Series employs 180° operation for diverting flow from one line to another. In situations where fire propagation is an issue, Hoke offers the 7 Series Fire Safe ball valve.

Before making your high cycle ball valve selection, be sure to consider the system pressure, operating temperature, required flow and materials of construction. If your application requires a ball valve not listed in this catalog, contact your local Hoke stocking distributor, or the factory.

**HOKE Incorporated**  
405 Centura Court • PO Box 4866 (29305) • Spartanburg, SC 29303  
Phone (864) 574-7966 Fax (864) 587-5608  
www.hoke.com • sales@hoke.com

*ball valves*

# High Cycle Ball Valves at a Glance

	SERIES	DESCRIPTION/APPLICATIONS	FEATURES	STANDARD BODY MATERIAL
	D, DL, T & TL Series High Cycle, Zero Leak Ball Valves 2-way Ball Valves (page 5)	<ul style="list-style-type: none"> <li>DL/TL Series - 100K cycles</li> <li>D/T Series - 50K cycles</li> <li>D/DL Series - High pressure</li> </ul>	<ul style="list-style-type: none"> <li>Live-loaded seats (DL &amp; TL)</li> <li>Bi-directional (D &amp; T)</li> <li>Uni-directional (DL &amp; TL)</li> </ul>	316 stainless steel Brass Monel®
	7223D Series High Performance Rotoball® 2-way Ball Valves (page 13)	<ul style="list-style-type: none"> <li>CNG fuel stations</li> <li>CNG vehicles</li> <li>Hydrogen fuel cells</li> <li>Pilot plants</li> </ul>	<ul style="list-style-type: none"> <li>Bi-directional</li> <li>Blow-out proof stem</li> <li>Extended life cycle</li> </ul>	316 stainless steel Monel® R-405
	7 Series 2- and 3-way 3-piece Bolted Ball Valves (page 17)	<ul style="list-style-type: none"> <li>On-off service</li> <li>High cycle life</li> <li>High flow</li> </ul>	<ul style="list-style-type: none"> <li>Removable valve center</li> <li>Live-loaded stem and seat seals compensate for thermal cycling and wear with zero leakage</li> <li>Blow-out proof stem</li> </ul>	316L stainless steel
	7 Series – Fire Safe 2-way, 3-piece Bolted Ball Valve (page 32)	<ul style="list-style-type: none"> <li>High flow, high safety</li> <li>Chemical processing</li> <li>Petroleum refining</li> <li>Gas distribution</li> <li>Hydraulic fluids</li> </ul>	<ul style="list-style-type: none"> <li>Design retards propagation of downstream fire</li> <li>Meets API 607 4th edition requirements</li> <li>Bottom-loaded, blow-out proof stem</li> <li>Fully encapsulated bolts</li> </ul>	316 stainless steel, grade CF8M

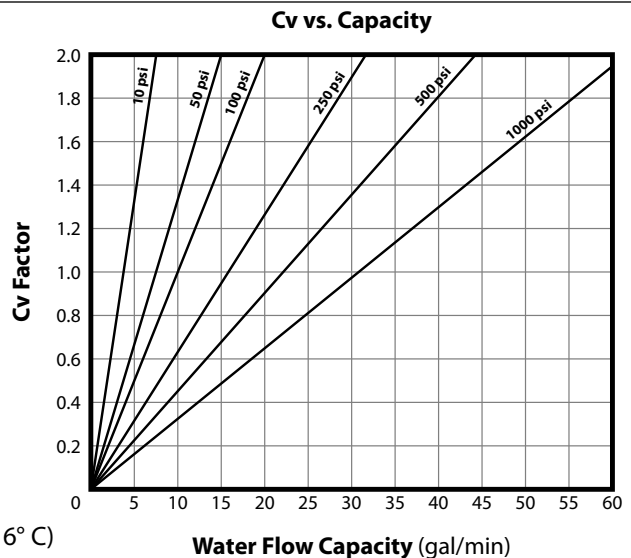
## Liquid Flow capacity of HOKE Ball Valves

To determine the Cv or flow of a **liquid** @ 60° F (16° C):

$$Cv = \frac{GPM}{\sqrt{\frac{\Delta p}{S.G.}}} \quad \text{or} \quad GPM = Cv \sqrt{\frac{\Delta p}{S.G.}}$$

where:

- $\Delta p = p_1 - p_2$
- $p_1$  = inlet pressure in psia
- $p_2$  = outlet pressure in psia
- GPM = flow in gallons per minute
- S.G. = specific gravity of liquid where water = 1.0 @ 60° F (16° C)



# High Cycle Ball Valves at a Glance

MAX. OPERATING PRESSURE @70° F (21° C)	OPERATING TEMPERATURE RANGE	Cv FLOW RANGE (VARIES W/ END CONNECTION)	ORIFICE SIZES	STANDARD END CONNECTIONS
<b>316 SS and Monel®</b> D & DL: 6000 psig (414 bar) T & TL: 3000 psig (207 bar)	-40° F to +350° F (-40° C to +177° C)	0.023 to 1.44	0.093" to 0.250" (2.36 mm to 6.35 mm)	1/8", 1/4", 3/8", 1/2" Gyrolok® 1/4" male NPT × 1/4" Gyrolok® 1/4" female NPT 6 mm, 8 mm, 10 mm Gyrolok®
<b>Brass</b> D, DL, T & TL: 3000 psig (207 bar)				
5000 psig (345 bar)	-65° F to +400° F (-54° C to +204° C)	3.4	0.375" (9.35 mm)	3/8", 1/2" Gyrolok® 3/8", 1/2" female NPT 3/8", 1/2" SAE 12 mm Gyrolok®
2500 psig (172 bar)	<b>FKM (Viton®)</b> -20° F to +450° F (-29° C to +232° C)  <b>Curved Disc Springs</b> -65° F to +500° F (-54° C to +260° C)	1.0 to 0.38	0.19" to 0.81" (4.8 mm to 20.6 mm)	1/8", 1/4", 3/8", 1/2", 3/4", 1" Gyrolok® 1/4", 3/8", 1/2", 3/4", 1" female NPT 6, 8, 10, 12, 18, 20, 22, 25mm Gyrolok® 1/4", 3/8", 1/2", 3/4", 1" tube socket weld 1/4", 3/8", 1/2", 3/4", 1" pipe socket weld 1/4", 3/8", 1/2", 3/4", 1" pipe butt weld
vacuum to 1500 psig (103 bar)	-40° F to +500° F (-40° C to +260° C)	4.5 to 38	0.28" to 0.88" (7.1 mm to 22.3 mm)	3/8", 1/2", 3/4", 1" Gyrolok® 3/8", 1/2", 3/4", 1" female NPT 3/8", 1/2", 3/4", 1" tube socket weld 3/8", 1/2", 3/4", 1" pipe socket weld 3/8", 1/2", 3/4", 1" pipe butt weld 12 mm, 18 mm, 25 mm Gyrolok®

## Gas Flow capacity of HOKE Ball Valves

To determine the Cv or flow of a **gas** @ 70° F (21° C):

$$Cv = \frac{SCFH}{1360 \sqrt{\frac{(\Delta p) (p_1)}{(460 + T) (S.G.)}}} \quad \text{or} \quad SCFH = 1360 Cv \sqrt{\frac{(\Delta p) (p_1)}{(460 + T) (S.G.)}}$$

where:

$$\Delta p = p_1 - p_2$$

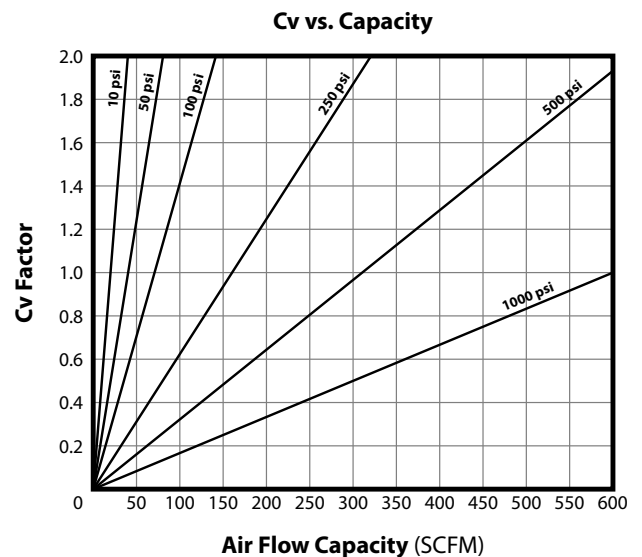
$p_1$  = inlet pressure in psia

$p_2$  = outlet pressure in psia

SCFH = flow in standard cubic feet per hour

S.G. = specific gravity of gas where air = 1.0 @ 70° F (21° C) and 14.7 psia

T = temperature in ° F







## D & T Series

Bi-directional, High Cycle, Zero Leak Ball Valves

Hoke's DL/TL ball valves are uni-directional, high cycle valves that exceed 100,000 cycles with zero seat leakage.\*\* In applications where bi-directional flow is required, Hoke D and T series valves exceed 50,000 cycles. Hoke ball valves can be ordered in brass, 316 stainless steel or Monel® materials with a manual handle as standard.

For remote actuation, factory-assembled Hoke Space Saver™ Actuators are available. D, DL, T and TL series valves can be ordered with welded end fittings to prevent accidental disassembly or with gasketed end fittings, if valve rebuild becomes necessary.

## DL & TL Series

Uni-directional, High Cycle, Zero Leak Ball Valves



### Technical Data

<b>BODY MATERIAL*</b>	316 stainless steel, brass, Monel®
<b>CYCLE LIFE</b>	D, T = 50,000; DL, TL = 100,000
<b>MAXIMUM OPERATING PRESSURE</b>	<ul style="list-style-type: none"> <li>• 316 stainless steel and Monel® D &amp; DL: 6000 psig @ 70° C (414 bar @ 21° C) T &amp; TL: 3000 psig @ 70° C (207 bar @ 21° C)</li> <li>• Brass D, DL, T, &amp; TL: 3000 psig @ 70° C (207 bar @ 21° C)</li> </ul>
<b>PROOF PRESSURE SAFETY FACTOR</b>	2:1
<b>BURST PRESSURE SAFETY FACTOR</b>	4:1
<b>TEMPERATURE RANGE</b>	-40° F to +350° F (-40° C to +177° C)**
<b>ORIFICE SIZES</b>	0.093" to 0.250" (2.36mm to 6.35mm)
<b>Cv FACTORS</b>	0.023 to 1.44

\* Consult factory for other materials

\*\* Depending on seat, seal, and washer material selected. See page 11 for ordering details

### Features & Benefits

#### Delta stem seal (D & DL)

- Improved cycle life
- No packing adjustment required
- Rated to 6000 psig (414 bar)
- Low operating torque for ease of operation

#### Spring-loaded Teflon® seal (T & TL)

- Compensates for wear and thermal cycling with zero leakage, providing excellent durability and reliability.

#### Choice of end-fittings for versatility

- 70 Series – welded
- 71 Series – gasketed

#### Live-loaded seats (DL & TL)

- Compensates for wear and thermal cycling with zero leakage, providing excellent durability and reliability.
- Ensures leak-tight performance over entire pressure range simplifying ball valve specification and installation, saving time and expense.

#### Static –grounded stem

- Prevents static discharge for added safety

#### Quarter-turn handle

- Quick on/off simplifies operation and saves time.
- Directional handle provides quick visual indication of orifice, improves operator efficiency and safety.
- Special High Tolerance NPT Thread

ball valves

### HOKE Incorporated

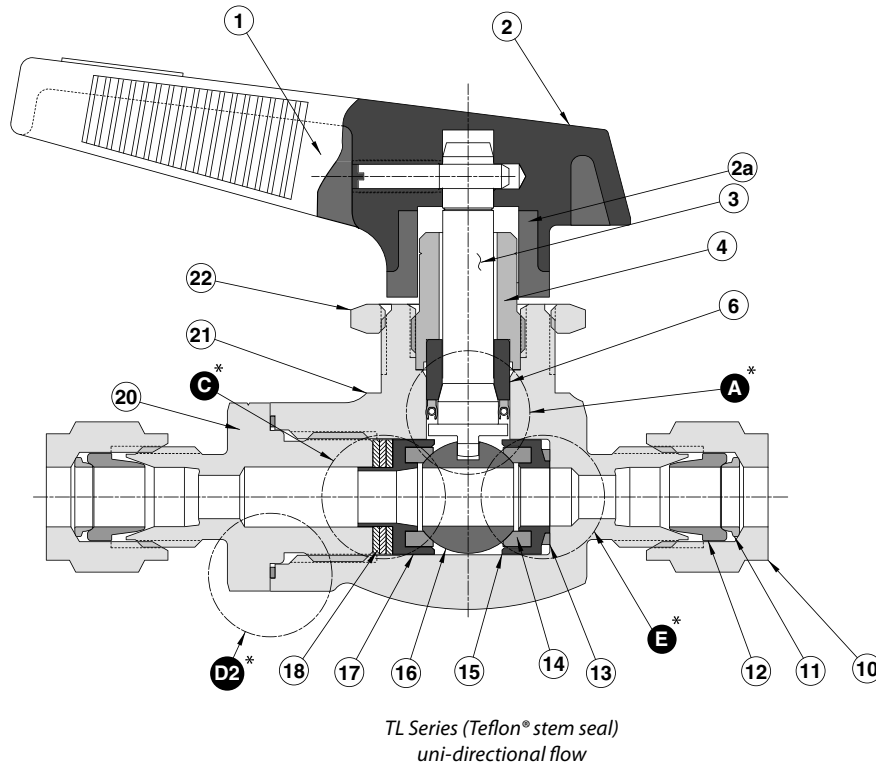
405 Centura Court • PO Box 4866 (29305) • Spartanburg, SC 29303

Phone (864) 574-7966 Fax (864) 587-5608

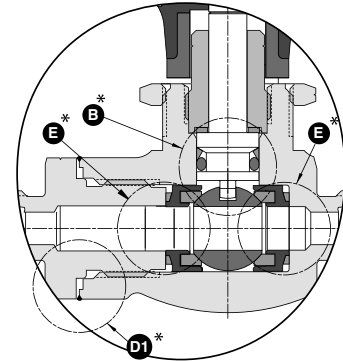
www.hoke.com • sales@hoke.com

# D, DL, T, TL Series

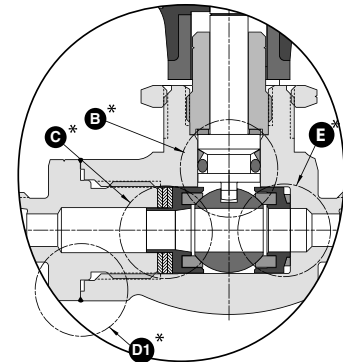
## Materials of Construction



TL Series (Teflon® stem seal)  
uni-directional flow



D Series (T Series-change B to A)  
bi-directional flow



DL Series (Delta stem seal)  
uni-directional flow

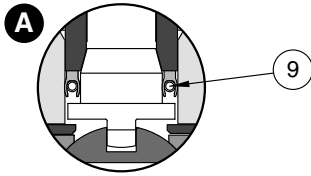
\* Refer to page 7 for details

DESCRIPTION	D, DL VALVES			T, TL VALVES		
	316 STAINLESS STEEL	BASIC VALVE MATERIAL MONEL®	BRASS	316 STAINLESS STEEL	BASIC VALVE MATERIAL MONEL®	BRASS
1 Handle pin		316 stainless steel			316 stainless steel	
2 Handle		Nylon			Nylon	
2a Handle insert		316L stainless steel			316L stainless steel	
3 Stem	316 SS	Monel® R-405	316 SS	316 SS	Monel® R-405	316 SS
4 Stem retainer	316 SS	Monel® R-405	Brass	316 SS	Monel® R-405	Brass
5 Thrust washer (D & DL)		PEEK™			—	
6 Stem guide (T & TL)		—			15% Graphite-filled Teflon®	
7 Delta backup ring (D & DL)		Teflon®			—	
8 O-ring (D & DL)		FKM (Viton®)			—	
9 Energized Teflon® seal (T & TL)		—			Graphite-filled Teflon® / Elgiloy®	
10 Gyrolok® Nut (both ends)	316 SS	Monel® R-405	Brass	316 SS	Monel® R-405	Brass
11 Rear ferrule	316 SS	Monel® R-405	Brass	316 SS	Monel® R-405	Brass
12 Front ferrule	316 SS	Monel® R-405	Brass	316 SS	Monel® R-405	Brass
13 Washer		Teflon®			Teflon®	
14 Seat		PCTFE			15% Graphite-filled Teflon®	
15 Downstream seat retainer	316 SS	Monel® R-405	Brass	316 SS	Monel® R-405	Brass
16 Ball	316 SS	Monel® R-405	316 SS	316 SS	Monel® R-405	316 SS
17 Upstream seat retainer	316 SS	Monel® R-405	Brass	316 SS	Monel® R-405	Brass
18 Spring washers (3)	316 SS	Inconel®	316 SS	316 SS	Inconel®	316 SS
19 Gasket (71 Series)		Teflon®			Teflon®	
20 End fitting	316 SS	Monel® R-405	Brass	316 SS	Monel® R-405	Brass
21 Body	316 SS	Monel® 400	Brass	316 SS	Monel® 400	Brass
22 Mounting nut	316 SS	Monel® R-405	Brass	316 SS	Monel® R-405	Brass

# D, DL, T, TL Series

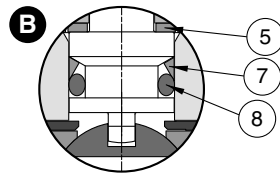
## Distinctions

T & TL Series valves come with...



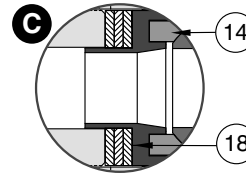
**Energized Teflon® Seal**

D & DL Series valves come with...



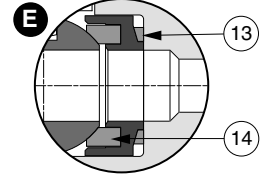
**Delta Stem Seal**

TL & DL Series valves come with...



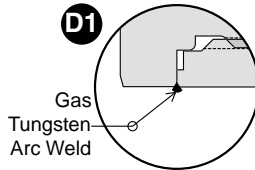
**Spring-loaded Seats-Inlet**  
TL & DL have "E" Outlet  
(uni-directional flow)

D & T Series valves come with...

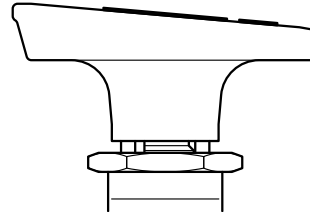


**PCTFE Seats-Inlet and Outlet**  
(bi-directional flow)

70 Series valves come with...

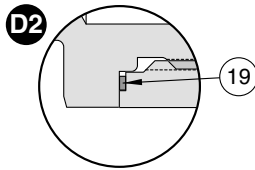


**Welded End Fittings**  
(prevents accidental disassembly)

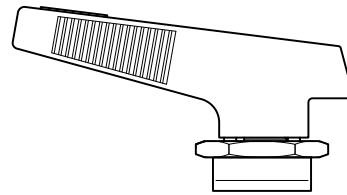


**Nylon Oval Handle**  
(prevents accidental cycling of valve)

71 Series valves come with...

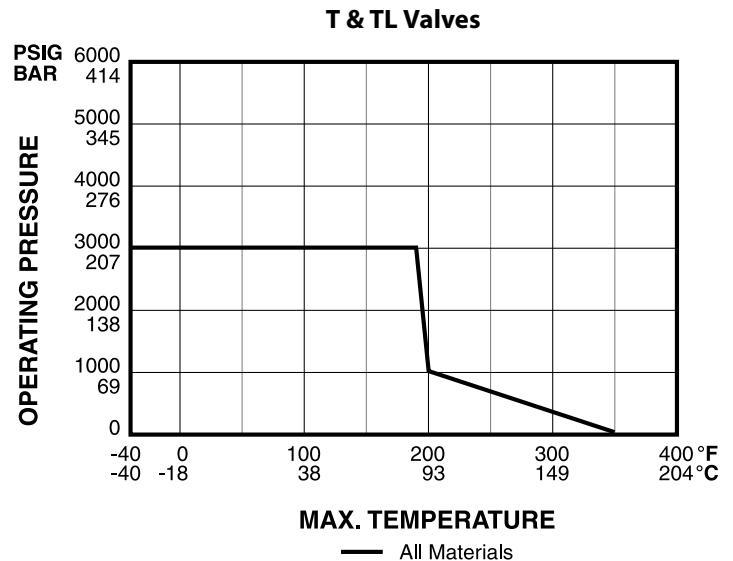
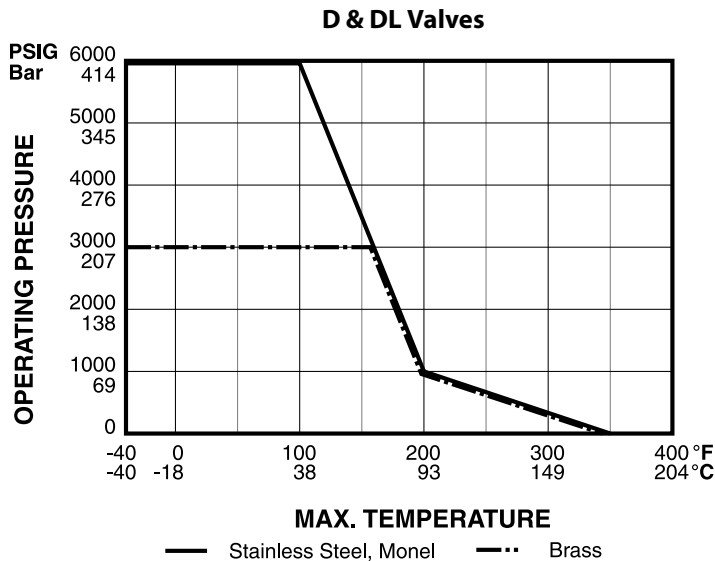


**Gasketed End Fittings**  
(allows for rebuilding)



**Nylon Lever Handle**  
(maximum visual indication of valve position)

## Pressure vs. Temperature Charts



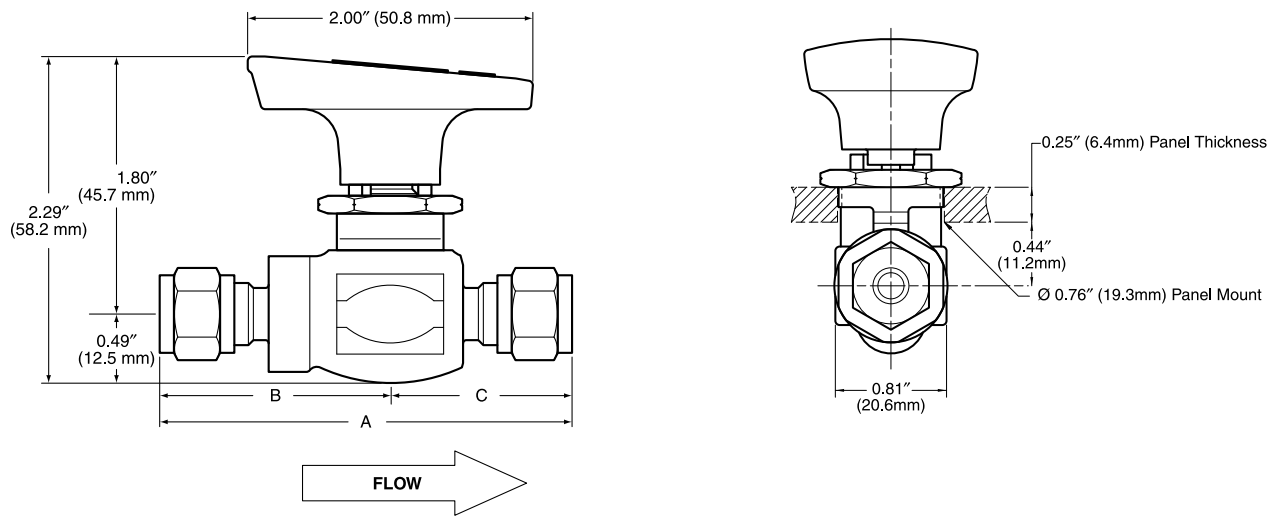


# D, DL, T, TL Series

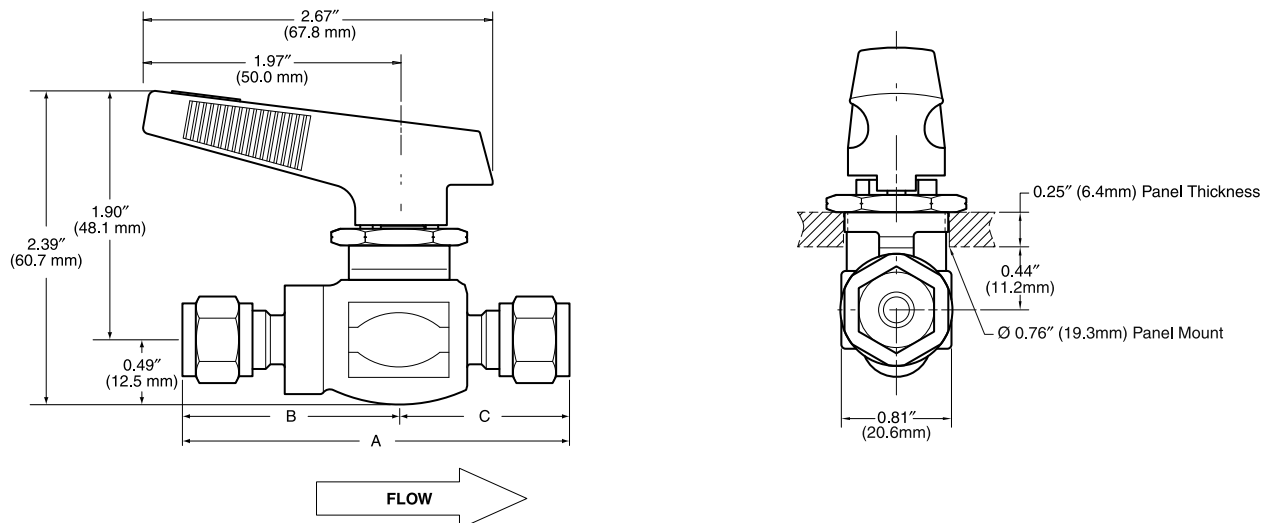
## Dimensions

PART NUMBER	END CONNECTIONS	ORIFICE	Cv	A	B	C	
G2	1/8" Gyrolok® × 1/8" Gyrolok®	inch	0.093	0.23	2.96	1.72	1.24
		mm	2.36		75.2	43.7	31.5
G4	1/4" Gyrolok® × 1/4" Gyrolok®	inch	0.187	0.8	3.11	1.82	1.29
		mm	4.75		79.0	46.2	32.8
G6	3/8" Gyrolok® × 3/8" Gyrolok®	inch	0.250	1.44	3.08	1.78	1.30
		mm	6.35		78.2	45.2	33.0
H4	1/4" male NPT × 1/4" Gyrolok®	inch	0.187	0.8	2.84	1.56	1.28
		mm	4.75		72.1	39.6	32.5
F4	1/4" female NPT × 1/4" female NPT	inch	0.250	1.44	2.40	1.46	0.94
		mm	6.35		61.0	37.1	23.9
L4	1/4" male NPT × 1/4" female NPT	inch	0.250	1.44	2.52	1.58	0.94
		mm	6.35		64.0	40.1	23.9
Z6	6mm Gyrolok® × 6mm Gyrolok®	inch	0.156	0.56	3.06	1.78	1.28
		mm	3.96		77.7	45.2	32.5
Z8	8mm Gyrolok® × 8mm Gyrolok®	inch	0.234	1.14	3.12	1.84	1.28
		mm	5.94		79.3	46.7	32.5
Z10	10mm Gyrolok® × 10mm Gyrolok®	inch	0.250	1.44	3.19	1.89	1.30
		mm	6.35		81.0	48.0	33.0

## 70 Series (Welded End Fittings)



## 71 Series (Gasketed End Fittings)



# D, DL, T, TL Series

## HOKE Space Saver™ Pneumatic Actuators

For remote control of HOKE D/DL/T/TL ball valves, order a pneumatic actuator. Pneumatically-actuated ball valves incorporating HOKE's Space Saver™ actuators can be used for both double acting and spring return applications. D/DL/T/TL ball valves may be ordered from the factory pre-assembled with HOKE Space Saver™ actuators. See page 12 for basic ordering information. Electric actuators are also available. Electric actuators are supplied in either 115 VAC or 24 VDC with weatherproof or explosion-proof housings. Refer to HOKE's *Actuator Catalog* (79005) or contact your local factory-authorized distributor for more details.

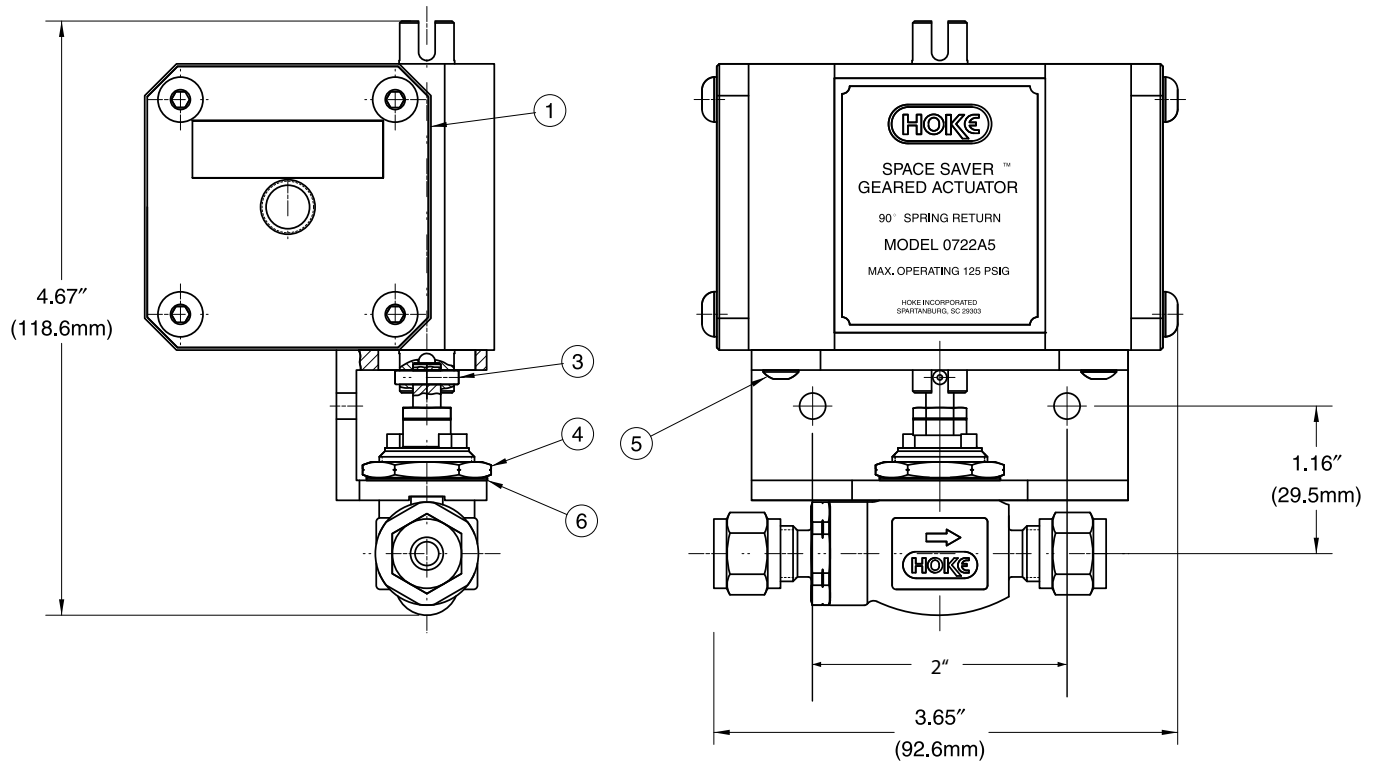
### Pneumatic Actuator Specifications

<b>MAXIMUM OPERATING AIR PRESSURE</b>	125 psig (9 bar)
<b>MINIMUM OPERATING AIR PRESSURE</b>	40 psig (3 bar)
<b>TEMPERATURE RANGE*</b>	0° F to +400° F (-18° C to +204° C)

\* Maximum valve temperature is 350° F, depending on seat, seal, and washer material selected. See page 11 for details.

### Materials of Construction

DESCRIPTION	QUANTITY	MATERIAL
1 Actuator	1	Aluminum
2 Mounting bracket (not shown)	1	Aluminum
3 Groove pin	1	18-8 stainless steel
4 Lock nut	1	316 stainless steel
5 Button head cap screw	4	316 stainless steel
6 Lock washer	1	300 stainless steel



### To Order for Field Assembly:

Part No.	Description
0700K3	Mounting Kit for 70 & 71 Series

### Actuators

0722A5	Spring Return 0° F to +400° F (-18° C to +204° C) standard
0760A5	Double Acting 0° F to +400° F (-18° C to +204° C) standard
0722A4	Spring Return 0° F to +250° F (-18° C to +121° C) optional
0760A4	Double Acting 0° F to +250° F (-18° C to +121° C) optional

Note: Actuator and mounting kit are included when ordering the factory-assembled option. Use the part numbers listed above when ordering actuator or mounting kit separately. "A5" actuators are standard when a factory-assembled valve and actuator are ordered. For "A4" actuators ordered as factory-assembled on Hoke ball valves, please consult the factory.

# D, DL, T, TL Series

## How to Order: Standard Valves

Use the following list to order standard valves that are readily available from the factory. If your application requires a customized valve, use the "Build to Order" matrix on page 11.

Refer to page 6 for a complete list of Materials of Construction.

END CONNECTIONS ALL PORTS	ACTUATION METHOD	PACKING MATERIAL	MAXIMUM PRESSURE	END FITTING TO BODY CONNECTION	END CONNECTION SIZE	BODY MATERIAL	PART NUMBER*
Gyrolok®	Lever handle	Teflon® & FKM (Viton®)	6000 psig (414 bar)	Gasketed 71 Series, D/DL Series	1/8"	stainless steel	7115G2YDL(D)
					1/4"	stainless steel	7115G4YDL(D)
					1/4"	Monel®	7115G4MDL(D)
					3/8"	stainless steel	7115G6YDL(D)
					1/2"	stainless steel	7115G8YDL(D)
					6mm	stainless steel	7115Z6YDL(D)
					8mm	stainless steel	7115Z8YDL(D)
					10mm	stainless steel	7115Z10YDL(D)
				10mm	Monel®	7115Z10MDL(D)	
Gyrolok®	Lever Handle	Teflon® Graphite Filled Teflon®	3000 psig (207 bar)	Gasketed 71 Series, T/TL Series	1/8"	stainless steel	7122G2YTL(T)
					1/4"	stainless steel	7122G4YTL(T)
					1/4"	Monel	7122G4MTL(T)
					3/8"	stainless steel	7122G6YTL(T)
					1/2"	stainless steel	7122G8YTL(T)
					6mm	stainless steel	7122Z6YTL(T)
					8mm	stainless steel	7122Z8YTL(T)
					10mm	stainless steel	7122Z10YTL(T)
				10mm	Monel	7122Z10MTL(T)	
Gyrolok®	Normally Closed Spring Return	Teflon® & FKM (Viton®)	6000 psig (414 bar)	Gasketed 71 Series, D/DL Series	1/8"	stainless steel	7115G2YDLC(D)
					1/4"	stainless steel	7115G4YDLC(D)
					1/4"	Monel®	7115G4MDLC(D)
					3/8"	stainless steel	7115G6YDLC(D)
					1/2"	stainless steel	7115G8YDLC(D)
					6mm	stainless steel	7115Z6YDLC(D)
					8mm	stainless steel	7115Z8YDLC(D)
					10mm	stainless steel	7115Z10YDLC(D)
				10mm	Monel®	7115Z10MDLC(D)	
Gyrolok®	Normally Closed Spring Return	Teflon® Graphite Filled Teflon®	3000 psig (207 bar)	Gasketed 71 Series, T/TL Series	1/8"	stainless steel	7122G2YTLC(T)
					1/4"	stainless steel	7122G4YTLC(T)
					1/4"	Monel	7122G4MTLC(T)
					3/8"	stainless steel	7122G6YTLC(T)
					1/2"	stainless steel	7122G8YTLC(T)
					6mm	stainless steel	7122Z6YTLC(T)
					8mm	stainless steel	7122Z8YTLC(T)
					10mm	stainless steel	7122Z10YTLC(T)
				10mm	Monel	7122Z10MTLC(T)	
Gyrolok®	Oval Handle	Teflon® & FKM (Viton®)	6000 psig (414 bar)	Welded 70 Series, D/DL Series	1/8"	stainless steel	7015G2YDL(D)
					1/4"	stainless steel	7015G4YDL(D)
					1/4"	Monel	7015G4MDL(D)
					3/8"	stainless steel	7015G6YDL(D)
					1/2"	stainless steel	7015G8YDL(D)
					6mm	stainless steel	7015Z6YDL(D)
					8mm	stainless steel	7015Z8YDL(D)
					10mm	stainless steel	7015Z10YDL(D)
				10mm	Monel	7015Z10MDL(D)	
Gyrolok®	Oval handle	Teflon®	3000 psig (207 bar)	Welded 70 Series, T/TL Series	1/8"	stainless steel	7022G2YTL(T)
					1/4"	stainless steel	7022G4YTL(T)
					1/4"	Monel®	7022G4MTL(T)
					3/8"	stainless steel	7022G6YTL(T)
					1/2"	stainless steel	7022G8TL(T)
					6mm	stainless steel	7022Z6YTL(T)
					8mm	stainless steel	7022Z8YTL(T)
					10mm	stainless steel	7022Z10YTL(T)
				10mm	Monel®	7022Z10MTL(T)	

\* For D (or T) Series bidirectional valves, delete "L" in part number

# D, DL, T, TL Series

## How to Order: Standard Valves

END CONNECTIONS ALL PORTS	ACTUATION METHOD	PACKING MATERIAL	MAXIMUM PRESSURE	END FITTING TO BODY CONNECTION	END CONNECTION SIZE	BODY MATERIAL	PART NUMBER*
Gyrolok®	Normally Closed Spring Return	Teflon® & FKM (Viton®)	6000 psig (414 bar)	Welded 70 Series, D/DL series	1/8"	stainless steel	7015G2YDLC(D)
					1/4"	stainless steel	7015G4YDLC(D)
					1/4"	Monel	7015G4MDLC(D)
					3/8"	stainless steel	7015G6YDLC(D)
					1/2"	stainless steel	7015G8YDLC(D)
					6mm	stainless steel	7015Z6YDLC(D)
					8mm	stainless steel	7015Z8DLC(D)
					10mm	stainless steel	7015Z10YDLC(D)
Gyrolok®	Normally Closed Spring Return	Teflon®	3000 psig (207 bar)	Welded 70 Series, T/TL Series	1/8"	stainless steel	7022G2YTLC(T)
					1/4"	stainless steel	7022G4YTLC(T)
					1/4"	Monel®	7022G4MTLC(T)
					3/8"	stainless steel	7022G6YTLC(T)
					1/2"	stainless steel	7022G8TLCC(T)
					6mm	stainless steel	7022Z6YTLC(T)
					8mm	stainless steel	7022Z8YTLC(T)
					10mm	stainless steel	7022Z10YTLC(T)
Female NPT	Lever handle	Teflon® & FKM (Viton®)	6000 psig (414 bar)	Gasketed 71 Series, D/DL Series	1/4"	stainless steel	7115F4YDL(D)
					1/4"	Monel®	7115F4MDL(D)
	Lever Handle	Teflon® Graphite Filled Teflon®	3000 psig (207 bar)	Gasketed 71 Series, T/TL Series	1/4"	stainless steel	7122F4YTLC(T)
					1/4"	Monel	7122F4MTLC(T)
	Normally Closed Spring Return	Teflon® Graphite Filled Teflon®	3000 psig (207 bar)	Gasketed 71 Series, T/TL Series	1/4"	stainless steel	7122F4YTLC(T)
	Normally Closed Spring Return	Teflon® & FKM (Viton®)	6000 psig (414 bar)	Gasketed 71 Series, D/DL Series	1/4"	stainless steel	7115F4YDLC(D)
	Oval Handle	Teflon® & FKM (Viton®)	6000 psig (414 bar)	Welded 70 Series, D/DL Series	1/4"	stainless steel	7015F4YDL(D)
	Oval handle	Teflon®	3000 psig (207 bar)	Welded 70 Series, T/TL Series	1/4"	stainless steel	7022F4YTLC(T)
	Normally Closed Spring Return	Teflon® & FKM (Viton®)	6000 psig (414 bar)	Welded 70 Series, D/DL Series	1/4"	stainless steel	7015F4YDLC(D)
					1/4"	Monel	7015F4MDLC(D)
	Normally Closed Spring Return	Teflon®	3000 psig (207 bar)	Welded 70 Series, T/TL Series	1/4"	stainless steel	7022F4YTLC(T)
					1/4"	Monel	7022F4MTLC(T)

\* For D (or T) Series bidirectional valves, delete "L" in part number

**FOR YOUR SAFETY**

IT IS SOLELY THE RESPONSIBILITY OF THE SYSTEM DESIGNER AND USER TO SELECT PRODUCTS SUITABLE FOR THEIR SPECIFIC APPLICATION REQUIREMENTS AND TO ENSURE PROPER INSTALLATION, OPERATION AND MAINTENANCE OF THESE PRODUCTS. MATERIAL COMPATIBILITY, PRODUCT RATINGS AND APPLICATION DETAILS SHOULD BE CONSIDERED IN THE SELECTION. IMPROPER SELECTION OR USE OF PRODUCTS DESCRIBED HEREIN CAN CAUSE PERSONAL INJURY OR PROPERTY DAMAGE.

## Repair Kits

### 71 Series – DL

Kit includes delta backup ring, stem, PEEK® seat & washer, O-ring, and instructions

SP71DL21

Seals	
21	Buna-N
50	Viton®
64	Kalrez®

### 71 Series – TL

Kit includes stem guide, seat, packing material, and instructions.

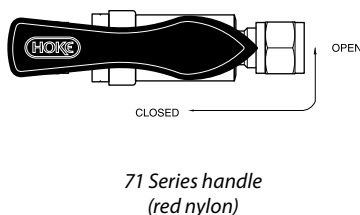
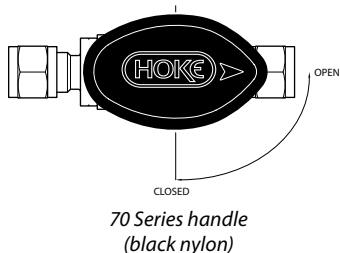
SP71TL

# D, DL, T, TL Series

## How to Order: Build-to-Order

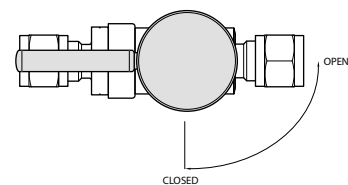
Use the matrix below to customize your D, DL, T, TL ball valves. Use the chart on page 9 to order standard, readily available valves. **Standard items in bold.**

<p><b>VALVE SERIES</b></p> <p><b>71 Gasketed-end fitting</b> 70 Welded-end fitting</p> <p><b>SEATS, SEALS &amp; WASHERS</b></p> <p>14 D and DL valves only -40° F to +500° F Seats: PCTFE (-40° C to +260° C) Washers: Teflon® Delta back-up ring: Teflon® O-ring: Kalrez®</p> <p><b>15 D and DL valves only -40° F to +350° F</b> Seats: PCTFE (-40° C to +177° C) Washers: Teflon® Delta back-up ring: Teflon® O-ring: FKM (Viton®)</p> <p>16 D and DL valves only -40° F to +250° F Seats: PCTFE (-40° C to +121° C) Washers: Teflon® Delta back-up ring: Teflon® O-ring: Buna N</p> <p>22 T and TL valves only -40° F to +350° F Seats: Teflon® (-40° C to +177° C) Washers: Teflon® Back-up ring: Teflon® Energized Teflon® seal: Graphite-filled Teflon®/Elgiloy®</p>	<p><b>71 15 G4 Y D L</b></p>	<p><b>FACTORY ASSEMBLED ACTUATOR OPTION**</b></p> <p><b>Blank-Manual Nylon Handle</b></p> <ul style="list-style-type: none"> <li>• <b>70 Series: Oval</b></li> <li>• <b>71 Series: Lever</b></li> </ul> <p>C Normally closed actuator (0722A5) O Normally open actuator (0722A5) D Double acting (0760A5)</p> <p><b>DENOTES "LIVE-LOADED SEATS"</b></p> <p><b>L Live loaded seat (uni-directional flow)</b> (Leave blank for D or T series bi-directional flow)</p> <p><b>STEM SEAL TYPE</b></p> <p><b>D Delta stem seal (D or DL valve only)</b> T Energized Teflon® seal (T or TL valve only)</p> <p><b>BASIC MATERIAL*</b></p> <p><b>Y 316 stainless steel</b> B Brass M Monel®</p> <p><b>CONNECTION TYPE &amp; SIZE</b></p> <p>G2 1/8" Gyrolok® inlet, 1/8" Gyrolok® outlet G4 1/4" Gyrolok® inlet, 1/4" Gyrolok® outlet G6 3/8" Gyrolok® inlet, 3/8" Gyrolok® outlet G8 1/2" Gyrolok® inlet, 1/2" Gyrolok® outlet H4 1/4" male NPT inlet, 1/4" Gyrolok® outlet F4 1/4" female NPT inlet, 1/4" female NPT outlet F6 3/8" female NPT inlet, 3/8" Gyrolok® outlet F8 1/2" female NPT inlet, 1/2" Gyrolok® outlet L4 1/4" male NPT inlet, 1/4" female NPT outlet Z6 6mm Gyrolok® inlet, 6mm Gyrolok® outlet Z8 8mm Gyrolok® inlet, 8mm Gyrolok® outlet Z10 10mm Gyrolok® inlet, 10mm Gyrolok® outlet</p>
---	------------------------------	---

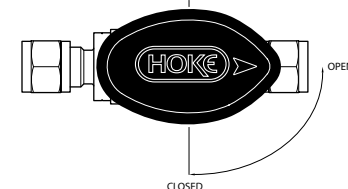


\* Consult factory for other materials  
\*\* To order "A4" actuators, please contact the factory

## Optional Handles

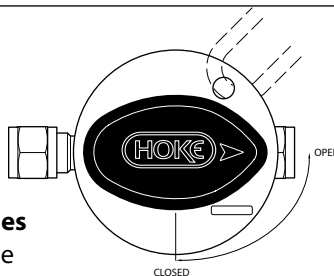


**Metal Handles**  
316 stainless steel handles are available for 70 & 71 Series. To order, specify kit 7100K13.



**Color-coded Oval Nylon Handles**  
Color-coded handles are available for 70 Series Valves. Order by the part number listed below.

- Red** 95683-030
- Blue** 95683-031
- Black** 95683-032
- Green** 95683-033
- Orange** 95683-034



**Handle Locking Kit**  
Safety lockout kits are available for applications which must conform to Code of Federal Regulations 29CFR Part 1910, OSHA Safety and Health Act and other international regulations. Valves can be locked in either an opened or closed position with the stainless steel upper and lower locking plates. Lock with readily available padlocks or commercially available multiple lockout devices. Locking kits include the locking plates and assembly instructions. To order a safety lockout kit, specify kit 7100K18.

### FOR YOUR SAFETY

IT IS SOLELY THE RESPONSIBILITY OF THE SYSTEM DESIGNER AND USER TO SELECT PRODUCTS SUITABLE FOR THEIR SPECIFIC APPLICATION REQUIREMENTS AND TO ENSURE PROPER INSTALLATION, OPERATION AND MAINTENANCE OF THESE PRODUCTS. MATERIAL COMPATIBILITY, PRODUCT RATINGS AND APPLICATION DETAILS SHOULD BE CONSIDERED IN THE SELECTION. IMPROPER SELECTION OR USE OF PRODUCTS DESCRIBED HEREIN CAN CAUSE PERSONAL INJURY OR PROPERTY DAMAGE.



## 7223D Series

High Performance Rotoball® Valve; Bi-Directional Flow

The 7223D Series is designed for demanding high cycle actuation applications. The high performance Rotoball® valve is ideally suited for manual and actuated CNG and alternative fuel applications.



### Typical Applications

- CNG fuel stations
- CNG vehicles
- Hydrogen fuel cells
- Hydrogen vehicles
- Test stands
- Pilot plants

### Technical Data

<b>BODY MATERIAL*</b>	316 stainless steel, Monel®
<b>MAXIMUM OPERATING PRESSURE</b>	5000 psig (345 bar) @ 70° F (21° C)
<b>OPERATING TEMPERATURE RANGE</b>	-65° F to +350° F (-54° C to +177° C)
<b>ORIFICE</b>	0.375" (9.35mm)
<b>Cv FACTOR</b>	3.4
<b>END CONNECTIONS</b>	Gyrolok®, NPT, SAE
<b>PROOF PRESSURE</b>	10,000 psig (690 bar) @ 70° F (21° C)

\* Consult factory for other materials

### Features & Benefits

- Blowout-proof stem for added safety
- High performance Delta stem seal design for extended cycle life and reduced cost of ownership.
- Variety of end connections for greater system design flexibility
- Variety of O-rings available to meet specific system / media requirements.
- Special High Tolerance NPT Thread

ball valves

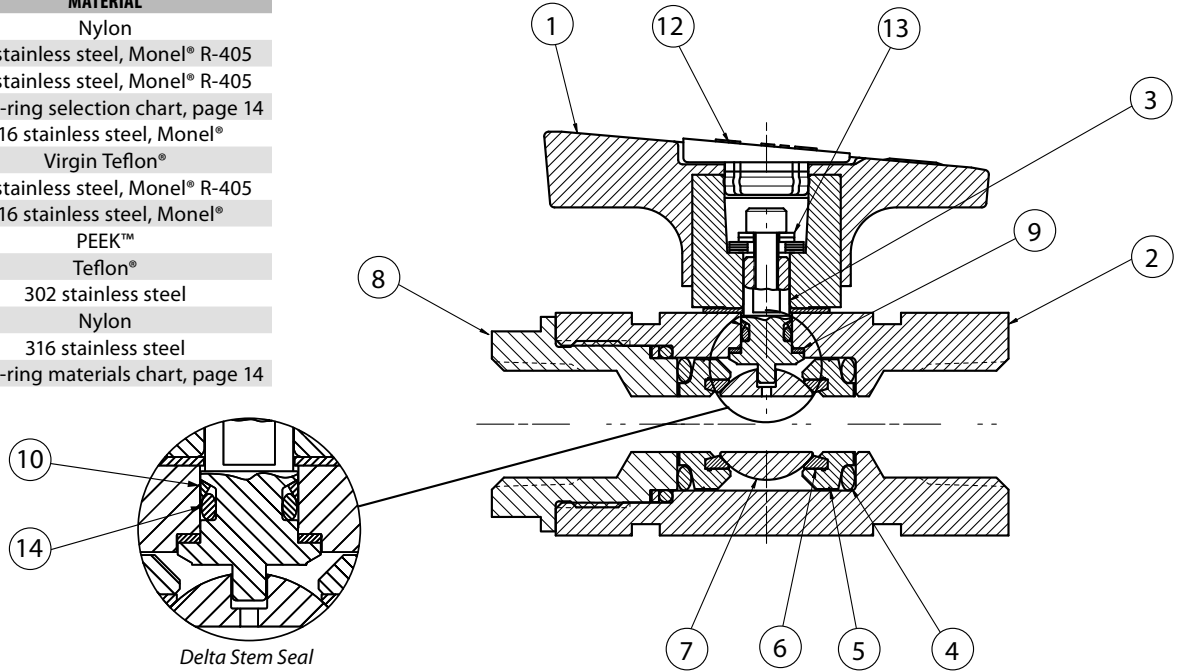
### HOKE Incorporated

405 Centura Court • PO Box 4866 (29305) • Spartanburg, SC 29303  
Phone (864) 574-7966 Fax (864) 587-5608  
www.hoke.com • sales@hoke.com

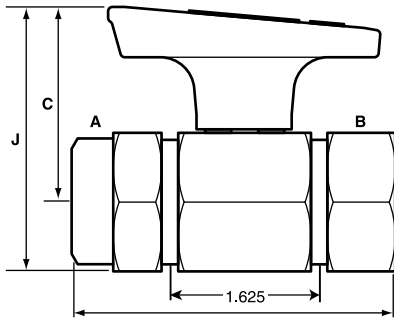
# 7223D Series

## Materials of Construction

DESCRIPTION	MATERIAL
1 Handle	Nylon
2 Body	316 stainless steel, Monel® R-405
3 Stem	316 stainless steel, Monel® R-405
4 O-ring	See O-ring selection chart, page 14
5 Seat retainer	316 stainless steel, Monel®
6 Seat	Virgin Teflon®
7 Ball	316 stainless steel, Monel® R-405
8 Plug	316 stainless steel, Monel®
9 Thrust washer	PEEK™
10 Back-up ring	Teflon®
11 Spring pin	302 stainless steel
12 Hole plug	Nylon
13 Washer	316 stainless steel
14 O-ring	See O-ring materials chart, page 14

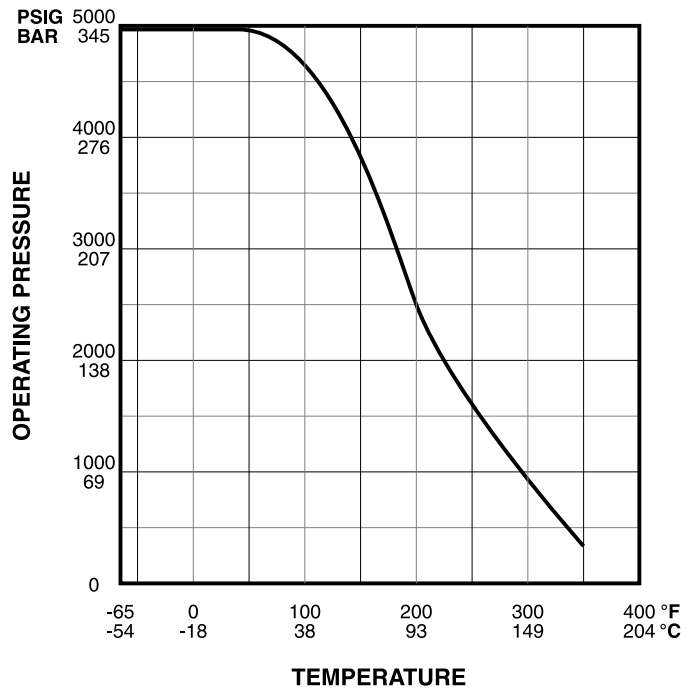


## Dimensions Chart



INLET A & OUTLET B		C	E	J
¾ Female NPT	inch	1⅞	3½	2⅞
	mm	48	89	65
½ Female NPT & SAE	inch	1⅞	3½	2⅞
	mm	48	89	65
½ Gyrolok®	inch	1⅞	4⅞	2⅞
	mm	48	124	65
12mm Gyrolok®	inch	1⅞	4⅞	2⅞
	mm	48	124	65

## Pressure vs. Temperature Curve



# 7223D Series

## How to Order

Standard items in bold

**7223 F 6 Y D 50 EA**

### CONNECTION CONFIGURATION

- F Female NPT
- FS SAE
- G Gyrolok®

### CONNECTION SIZE

- 6 3/8"
- 8 1/2"
- 12 12mm

### BASIC MATERIAL

- M Monel®
- Y 316 stainless steel**

### ACTUATORS—FACTORY ASSEMBLED

(omit for manual valve)

- WA 115 VAC weatherproof
- EA 115 VAC explosion-proof**
- WD 24 VDC weatherproof
- NO 90° spring return, normally open
- NC90° spring return, normally closed
- DA90° double acting

### O-RING MATERIAL (refer to chart below)

- 20 Buna N
- 50 Viton®**
- 64 Kalrez®

**D Denotes Delta Stem Seal**

### Actuator & Mounting Kit Part Numbers

OPTION	ACTUATOR	MOUNTING KIT
WA	0112L2	0112K7200
EA	0112Y6	Consult Factory
WD	0172L2	Consult Factory
NO	07L90SR3	LMKT7223
NC 90°	07L90SR3	LMKT7223
DA 90°	07L90DA	LMKT7223



Actuators

### O-Ring Materials

MATERIAL	OPERATING TEMPERATURE	
	°F	°C
Buna N	-65° to +250°	-54° to +121°
Viton®	-20° to +400°	-29° to +204°
Kalrez®	+20° to +400°	-7° to +204°

#### FOR YOUR SAFETY

IT IS SOLELY THE RESPONSIBILITY OF THE SYSTEM DESIGNER AND USER TO SELECT PRODUCTS SUITABLE FOR THEIR SPECIFIC APPLICATION REQUIREMENTS AND TO ENSURE PROPER INSTALLATION, OPERATION AND MAINTENANCE OF THESE PRODUCTS. MATERIAL COMPATIBILITY, PRODUCT RATINGS AND APPLICATION DETAILS SHOULD BE CONSIDERED IN THE SELECTION. IMPROPER SELECTION OR USE OF PRODUCTS DESCRIBED HEREIN CAN CAUSE PERSONAL INJURY OR PROPERTY DAMAGE.



# 7223D Series

## Ordering Options

### Metal Lever Handle

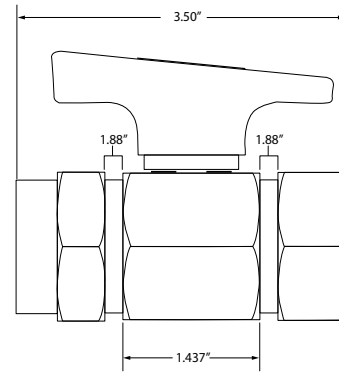
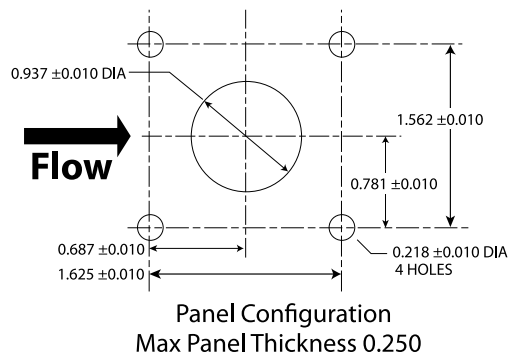
A red metal lever handle is available for the 7223D Series. To order specify 90043-1 with plug button 5982.

### Handle Locking Kit

Safety lockout kits are available for applications which must conform to Code of Federal Regulations 29CFR Part 1910; OSHA Safety and Health Act and other international regulations. Valves can be locked in either an opened or closed position with the stainless steel upper and lower locking plates. Secure the valve with readily available padlocks or commercially available multiple lockout devices. Locking kits include the locking plates and assembly instructions. To order the safety lockout kit for Rotoball® 7223D Series specify kit 7200K7.

### Panel Mounting

To order panel mounting kit, specify 7200K1.



### Electric and Pneumatic Actuators

For remote control of Rotoball® 7223D Series valves, order an electric or pneumatic actuator. Electric actuators are supplied in either 115 VAC or 24 VDC with weatherproof or explosion-proof housings. Pneumatically actuated ball valves incorporating HOKE's rack and pinion actuators can be used for both double acting and spring return applications. Refer to HOKE's *Actuator Catalog* (79005) or contact your local factory-authorized distributor for more details.



Actuators

### Spare Parts

Spare parts and repair kits are available for all ball valves.

Kit includes stem, Delta backup ring, seat and retainer, O-rings, backup ring and thrust washers.

**SP7223D Y 50**

#### MATERIAL

M Monel® R405  
Y 316 stainless steel

#### O-RING COMPONENT

20 Buna N  
50 Viton®  
64 Kalrez®

### Cleaning and Testing

When ordering, please specify if oxygen cleaning or helium leak testing is required.



## 7 Series

### 2- and 3-way 3-piece Bolted Ball Valves

Hoke 7 Series high performance, bi-directional ball valves exceed 50,000 cycles\* with zero leakage\*\*. The 7 Series includes an energized Teflon® stem seal and live loaded seats which require no adjustment over the life of the valve. 2-way valves can be configured for uni-directional flow by replacing standard seat rings with opposing curved disc spring seats. 7 series come standard in 316 stainless steel, and special alloys when requested. A variety of handles and remote actuation packages are available.



### Technical Data

<b>BODY MATERIAL</b>	316 stainless steel
<b>CYCLE LIFE</b>	Exceeds 50,000
<b>MAXIMUM OPERATING PRESSURE</b>	2500 psig @70° F (172 bar @ 21° C)
<b>OPERATING TEMPERATURE RANGE</b>	-65° F to +500° F (-29° C to +232° C)
<b>ORIFICE</b>	0.19 to 0.81" (4.8 to 6mm)
<b>Cv FACTORS</b>	1.0 to 38

### Features & Benefits

#### **Energized Teflon® stem seal**

- Exceeds 50,000 cycles, reducing costs of ownership\*
- No packing adjustments required, providing operator peace of mind
- Low operating torque for ease of operation

#### **Live-loaded seats**

- Compensate for wear and temperature cycling with zero leakage, providing excellent durability and reliability.\*\*
- Ensure leak-tight performance over entire pressure range simplifying ball valve specification and installation, saving time and expense.
- Optional vented ball equalizes pressure between ball orifice and center body cavity

#### **Static -grounded stem**

- Prevents static discharge for added safety
- Quarter turn handle provides a visual indication of on/off valve position, improving safety
- Stem flats provide visual indication of valve position, improving safety
- Bottom-loaded stem prevents stem blowout for added safety

- Optional trip-proof or latching / locking handle prevents accidental opening or closing of the valve for greater security and safety
- Fully encapsulated bolts are protected from the environment, extending valve life and reducing costs

**Valves are designed, manufactured and tested in compliance with: ANSI/ASME B16.34 (valves: flanged, threaded, and welding end†), API 608 (metal ball valves: flanged, threaded and welding end), API 598 (valve inspection and test), and MSS SP-99 (instrument valves)**

- Industry standards ensure reliability and integrity of components and systems

**Top-mount actuators and brackets are designed and manufactured in compliance with ISO 5211 (industrial valve: part-turn actuator attachment)**

- Allow HOKE 7 Series to easily interchange with a wide variety of pneumatic actuators
- Allow user to easily convert manual valve to pneumatic operation in the field
- Special High Tolerance NPT Thread

\* For best results use a filter upstream of the valve. Dirty, erosive and corrosive fluids may affect the cycle life of the valve. Cycle life is based on working pressures less than 150 psig.

\*\* Zero leakage per API 598.

† When B16.34 (option B) is selected, testing is conducted in accordance with these specifications.

### HOKE Incorporated

405 Centura Court • PO Box 4866 (29305) • Spartanburg, SC 29303  
Phone (864) 574-7966 Fax (864) 587-5608  
www.hoke.com • sales@hoke.com

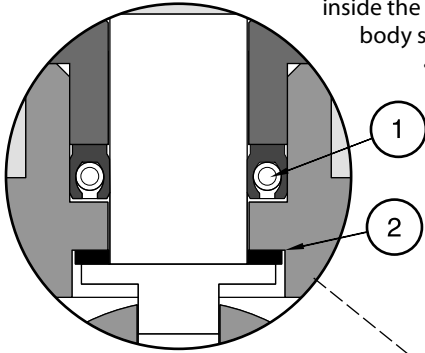
ball valves

# 7 Series

## Materials of Construction

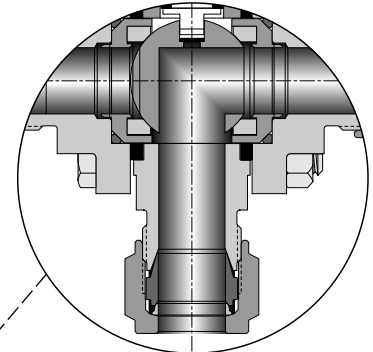
**Energized Teflon® Stem Seal** Circular Elgiloy® spring contained within an inverted cup-shaped Teflon® packing ring applies constant dynamic radial force.

- *Low pressure operation:* Spring applies constant dynamic radial force from inside the Teflon® cup, effecting a constant dynamic seal against stem and body stuffing box.
- *High pressure operation:* Rising system pressure increases the force applied from inside the Teflon® cup, effecting a constant dynamic seal against stem and body stuffing box.
- *Thermal cycling and wear:* Spring applies constant dynamic radial force from inside the Teflon® cup, compensating for expansion and contraction of components due to thermal cycling and wear.



### Energized Teflon Seal

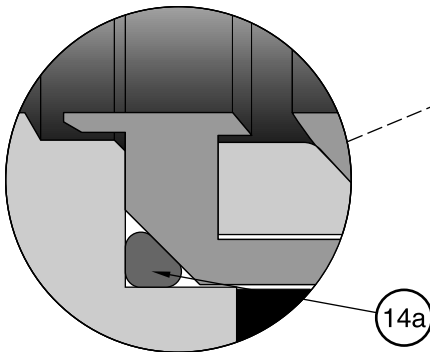
Provides high cycle life, no packing adjustments required



**Third Port View**  
3-way Valve

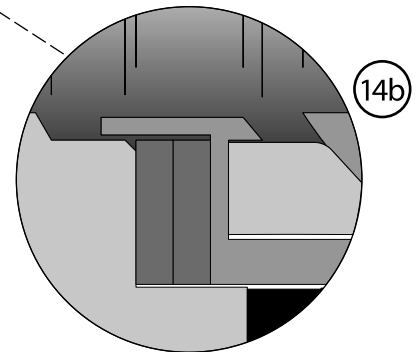
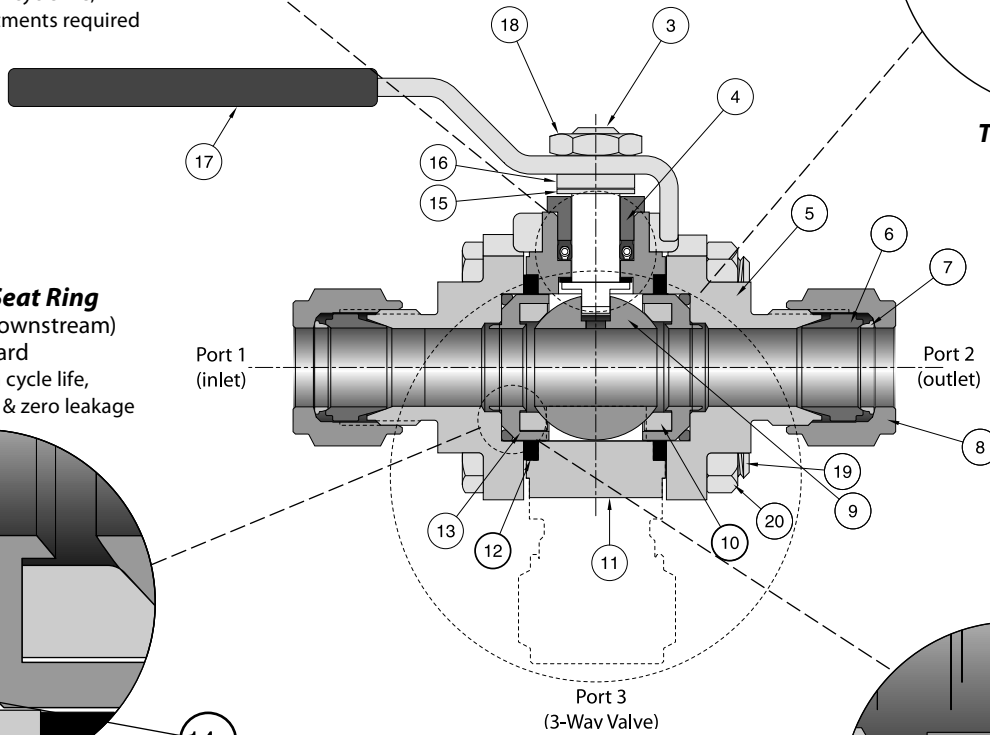
### Energized Seat Ring

(Upstream & Downstream)  
Standard  
Provides high cycle life, bi-directional flow & zero leakage



**Energized Seat Rings** Compressed O-rings apply constant dynamic force to the seat packing.

- *Low pressure operation:* Due to their resilient characteristics compressed O-rings apply constant dynamic force to the seats which make a leak tight seal against the ball.
- *High pressure operation:* Rising system pressure pushes the floating ball against the downstream seat enhancing the constant dynamic force generated by the O-rings which results in a leak-tight seal.
- *Thermal cycling and wear:* Due to their resilient characteristics compressed O-rings apply constant dynamic force to the seats, compensating for expansion and contraction of components due to thermal cycling and wear.
- *Bi-directional flow:* Energized seat rings utilizing compressed O-rings allow control of process fluid in both directions.



**Optional Spring Loaded Seats** Opposing curved disc spring seats (upstream only) in lieu of standard seat ring allow unidirectional flow.

- Available for 2-way valves only.
- Provide high cycle life and zero leakage.
- Located on upstream side only, no seat assembly is located on downstream side of ball for this option.

# 7 Series

## Materials of Construction

### 316 Stainless Steel Valve with 'G' Seat and Seal Material – 15% Graphite filled Teflon® (standard)

	DESCRIPTION	COMPONENT MATERIAL	GRADE/ASTM SPECIFICATION
1	Energized Teflon® stem seal*	Graphite-filled Teflon®/Elgiloy®	—
2	Thrust washer*	PEEK™	—
3	Stem*	316 stainless steel	A479
4	Spacer	PEEK™	—
5	Adapter ends*	316 stainless steel	CF3M/A351
6	Ferrule, front*	316 stainless steel	A479
7	Ferrule, rear	316 stainless steel	A479
8	Gyrolok® nut	316 stainless steel	A479
9	Ball*	316 stainless steel	A479
10	Seat*	Graphite-filled Teflon®	—
11	Body*	316 stainless steel	CF3M/A351
12	Body seal*	PTFE	—
13	Seat retainer*	316 stainless steel	A479
14a	Energized seat ring (standard)*	FKM (Viton®)	MIL-R-83248
14b	Energized seat ring: curved disc springs (optional)*	316 stainless steel	—
15	Retaining ring	Stainless steel	PH15-7 MO
16	Handle spacer	316 stainless steel	A479
17	Handle	316 stainless steel	A240
18	Stem nut	316 stainless steel	ASTM A194 Grade 8
19	Body bolt	316 stainless steel	ASTM A193 B8
20	Body nut	316 stainless steel	ASTM A193 B8
	Handle stop roll pin (not shown, 7D Series only)	420 stainless steel	—
	Lubricant: Energized Teflon® stem seal	non silicone-based	Krytox® 104
	Lubricant: stem	non silicone-based	Krytox® 104
	Lubricant: seat	non silicone-based	Krytox® 206

\* Wetted component

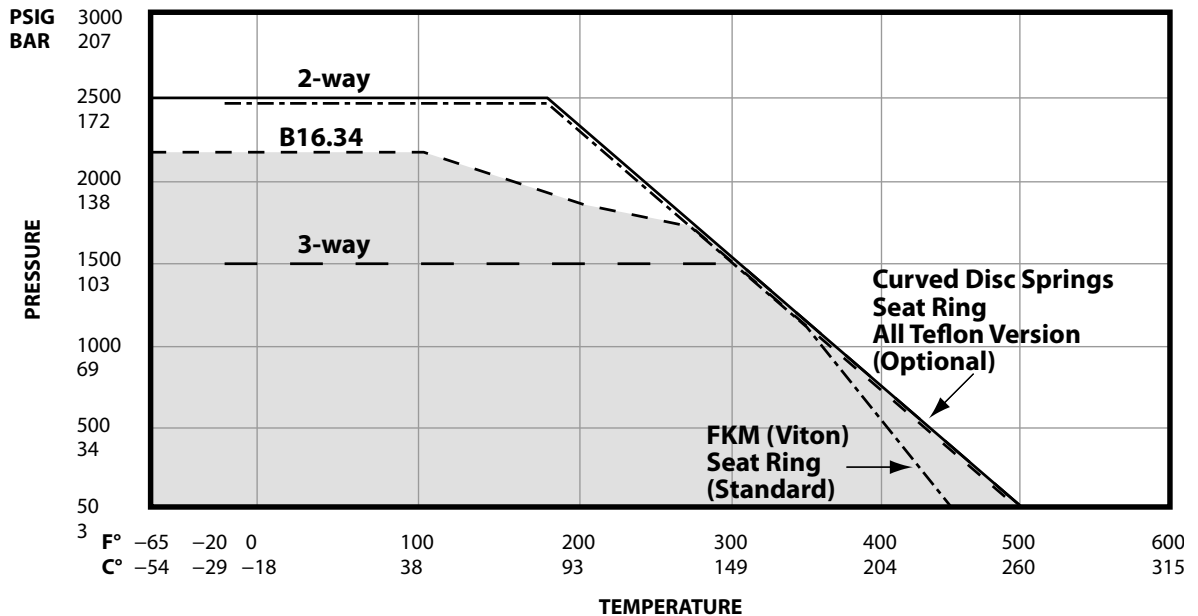
## Technical Data (Standard)

SEAT	15% Graphite-filled Teflon®
BODY SEAL	PTFE
ENERGIZED STEM SEAL	Graphite-filled Teflon® / Elgiloy®
THRUST WASHER	PEEK™
MAXIMUM OPERATING PRESSURE*	2500 psig @ 70° F (172 bar @ 21° C)
TEMPERATURE RANGE (LIMITED BY SEAT RING MATERIAL)	FKM (Viton®): -20° F to +450° F (-29° C to +232° C) Curved Disc Springs: -65° F to +500° F (-54° C to +260° C)

\* 3-way valves are limited to 1500 psig (103 bar)

## Pressure vs. Temperature Curves

### 'G' Seat and Seal Material – 15% Graphite filled Teflon® (Standard)

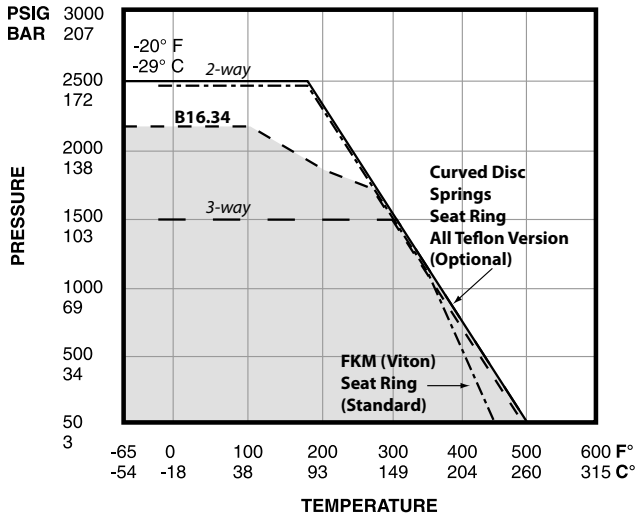


# 7 Series

## Pressure vs. Temperature Curves

These optional seat and seal materials are available through the 'Build to Order' matrix on pages 26 and 27.

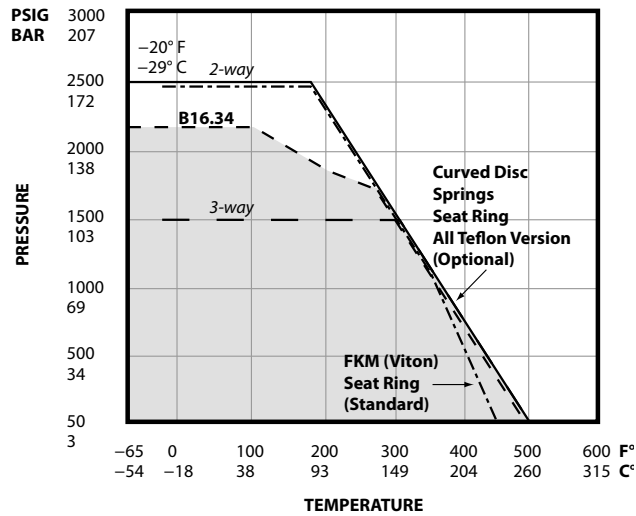
### 'T' Seat and Seal Material –PTFE (Optional)



SEAT	PTFE
BODY SEAL	PTFE
ENERGIZED STEM SEAL	Graphite-filled Teflon® / Elgiloy®
THRUST WASHER	PEEK™
MAXIMUM OPERATING PRESSURE*	2500 psig @ 70° F (172 bar @ 21° C)
TEMPERATURE RANGE (LIMITED BY SEAT RING MATERIAL)	FKM (Viton®): -20° F to +450° F (-29° C to +232° C) Curved Disc Springs: -65° F to +500° F (-54° C to +260° C)

\* 3-way valves limited to 1500 psig (103 bar).

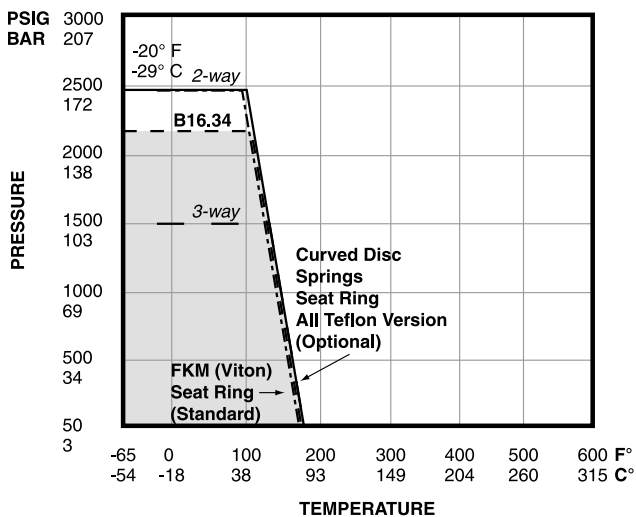
### 'P' Seat and Seal Material –PEEK™ (Optional)



SEAT	PEEK™
BODY SEAL	PTFE
ENERGIZED STEM SEAL	Graphite-filled Teflon® / Elgiloy®
THRUST WASHER	PEEK™
MAXIMUM OPERATING PRESSURE*	2500 psig @ 70° F (172 bar @ 21° C)
TEMPERATURE RANGE (LIMITED BY SEAT RING MATERIAL)	FKM (Viton®): -20° F to +450° F (-29° C to +232° C) Curved Disc Springs: -65° F to +500° F (-54° C to +260° C)

\* 3-way valves limited to 1500 psig (103 bar).

### 'U' Seat and Seal Material –UHMWPE (Optional)



SEAT	UHMWPE
BODY SEAL	PTFE
ENERGIZED STEM SEAL	Graphite-filled Teflon® / Elgiloy®
THRUST WASHER	PEEK™
MAXIMUM OPERATING PRESSURE*	2500 psig @ 70° F (172 bar @ 21° C)
TEMPERATURE RANGE (LIMITED BY SEAT RING MATERIAL)	FKM (Viton®): -20° F to +180° F (-29° C to +82° C) Curved Disc Springs: -65° F to +180° F (-54° C to +82° C)

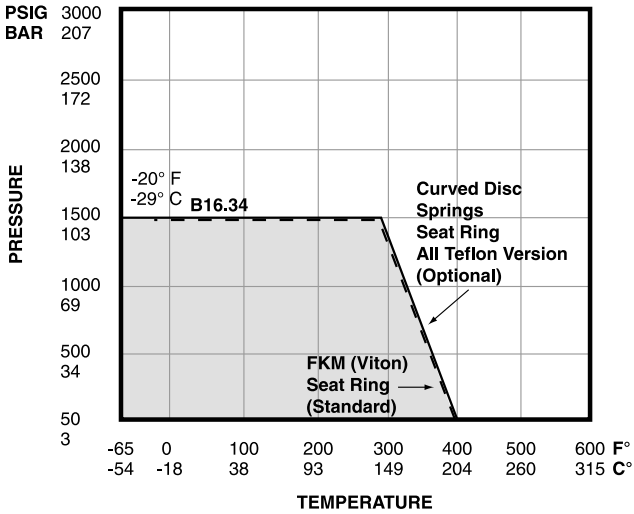
\* 3-way valves limited to 1500 psig (103 bar).

# 7 Series

## Pressure vs. Temperature Curves

These optional seat and seal materials are available through the 'Build to Order' matrix on pages 26 and 27.

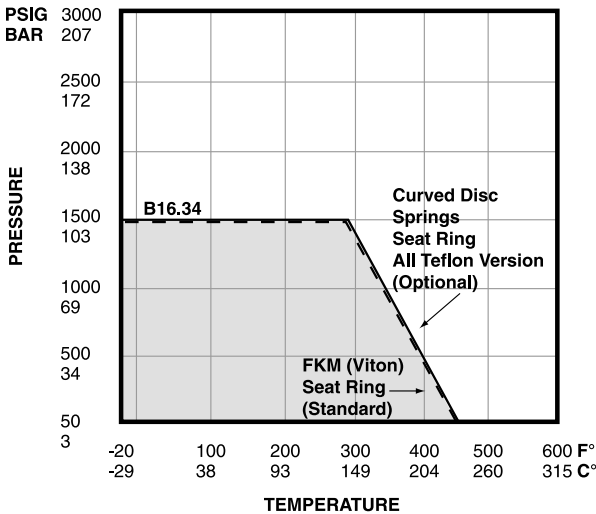
### 'V' Seat and Seal Material –Virgin TFE (Optional)



SEAT	TFE (virgin)
BODY SEAL	PTFE
ENERGIZED STEM SEAL	Graphite-filled Teflon® / Elgiloy®
THRUST WASHER	PEEK™
MAXIMUM OPERATING PRESSURE*	1500 psig @ 70° F (103 bar @ 21° C)
TEMPERATURE RANGE (LIMITED BY SEAT RING MATERIAL)	FKM (Viton®): -20° F to +400° F (-29° C to +204° C) Curved Disc Springs: -65° F to +400° F (-54° C to +204° C)

\* 3-way valves limited to 1500 psig (103 bar).

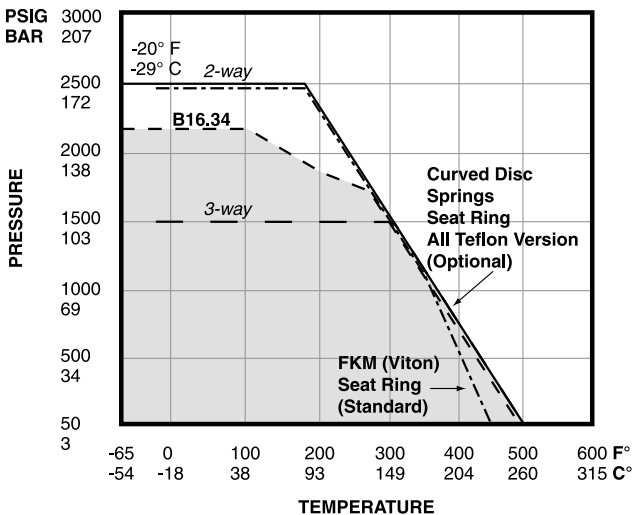
### 'O' Seat and Seal Material –PTFE/FKM O-ring (Optional)



SEAT	PTFE
BODY SEAL	FKM (Viton®) o-ring
ENERGIZED STEM SEAL	Graphite-filled Teflon® / Elgiloy®
THRUST WASHER	PEEK™
MAXIMUM OPERATING PRESSURE*	1500 psig @ 70° F (103 bar @ 21° C)
TEMPERATURE RANGE (LIMITED BY SEAT RING MATERIAL)	FKM (Viton®): -20° F to +450° F (-29° C to +232° C) Curved Disc Springs: -20° F to +450° F (-29° C to +232° C)

\* 3-way valves limited to 1500 psig (103 bar).

### 'R' Seat and Seal Material –PTFE/Reinforced PTFE (Optional)



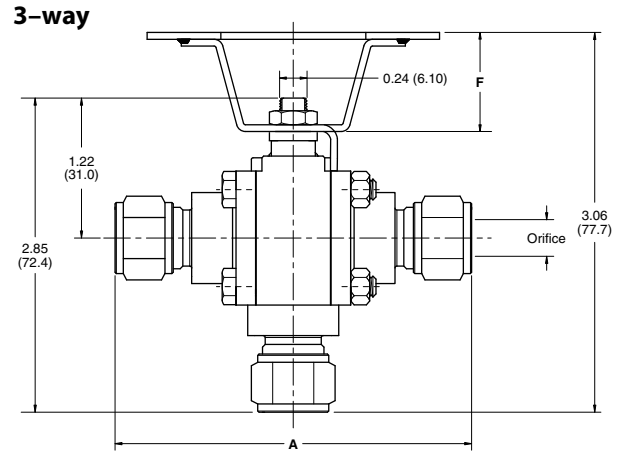
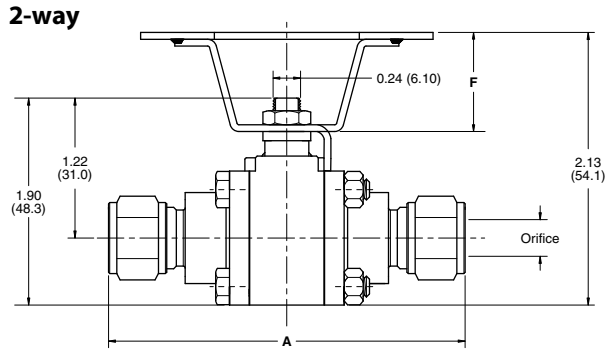
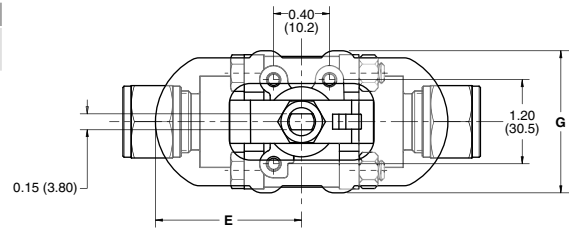
SEAT	PTFE
BODY SEAL	PTFE
ENERGIZED STEM SEAL	Graphite-filled Teflon® / Elgiloy®
THRUST WASHER	Reinforced PTFE
MAXIMUM OPERATING PRESSURE*	2500 psig @ 70° F (172 bar @ 21° C)
TEMPERATURE RANGE (LIMITED BY SEAT RING MATERIAL)	FKM (Viton®): -20° F to +450° F (-29° C to +232° C) Curved Disc Springs: -65° F to +500° F (-54° C to +260° C)

\* 3-way valves limited to 1500 psig (103 bar).

# 7 Series

## Dimensions: 7D Series (Cv Range = 1.0 to 3.8)

	2-WAY	3-WAY
<b>ORIFICE SIZE</b>	0.09" - 0.28" (2.3mm - 7.1mm)	0.09" - 0.20" (2.3mm - 5.1mm)
<b>Cv RANGE</b>	1.0 - 3.8	1.0 - 1.7



### 7D Series (Cv Range 1.0 to 3.8)

END CONNECTIONS	2-WAY			3-WAY			A
	BALL ORIFICE	ORIFICE*	Cv	BALL ORIFICE	ORIFICE*	Cv	
1/8" Gyrolok®	0.28"	0.09"	1.0	0.20"	0.09"	1.0	inch 3.38 mm 85.9
1/4" Gyrolok®	0.28"	0.19"	1.8	0.20"	0.19"	1.7	inch 3.38 mm 85.9
3/8" Gyrolok®	0.28"	0.28"	3.8	0.20"	0.20"	1.7	inch 3.38 mm 85.9
6mm Gyrolok®	0.28"	0.16"	1.3	0.20"	0.16"	1.7	inch 3.35 mm 85.1
8mm Gyrolok®	0.28"	0.23"	2.6	0.20"	0.20"	1.7	inch 3.35 mm 85.1
10mm Gyrolok®	0.28"	0.28"	3.8	0.20"	0.20"	1.7	inch 3.43 mm 87.1
1/4" female NPT	0.28"	0.28"	3.8	0.20"	0.20"	1.7	inch 2.29 mm 58.2
1/4" male NPT	0.28"	0.28"	3.8	0.20"	0.20"	1.7	inch 3.55 mm 90.2
1/4" Vaculok™	0.28"	0.28"	3.8	0.20"	0.20"	1.7	inch 3.59 mm 91.2
1/4" tube socket weld	0.28"	0.26"	3.4	0.20"	0.20"	1.7	inch 2.30 mm 58.4
3/8" tube socket weld	0.28"	0.28"	3.8	0.20"	0.20"	1.7	inch 2.50 mm 63.5
6mm tube socket weld	0.28"	0.25"	3.1	0.20"	0.20"	1.7	inch 2.50 mm 63.5
8mm tube socket weld	0.28"	0.28"	3.8	0.20"	0.20"	1.7	inch 2.50 mm 63.5
10mm tube socket weld	0.28"	0.28"	3.8	0.20"	0.20"	1.7	inch 2.50 mm 63.5
1/4" pipe butt weld sch 40	0.28"	0.28"	3.8	0.20"	0.20"	1.7	inch 1.97 mm 50.0
3/8" pipe butt weld sch 40	0.28"	0.28"	3.8	0.20"	0.20"	1.7	inch 1.97 mm 50.0
1/4" pipe socket weld sch 80	0.28"	0.28"	3.8	0.20"	0.20"	1.7	inch 2.35 mm 59.7
1/4" pipe butt weld sch 80	0.28"	0.28"	3.8	0.20"	0.20"	1.7	inch 1.97 mm 50.0
3/8" pipe butt weld sch 80	0.28"	0.28"	3.8	0.20"	0.20"	1.7	inch 1.97 mm 50.0

### Handles

#### Oval handle

**E** 1.44" (36.6mm)

**F** 0.57" (14.5mm)

**G** 1.50" (38.1mm)

#### Lever handle

**E** 2.25" (57.2mm)

**F** 0.42" (10.8mm)

**G** 0.38" (9.65mm)

Consult factory for additional end connection sizes.

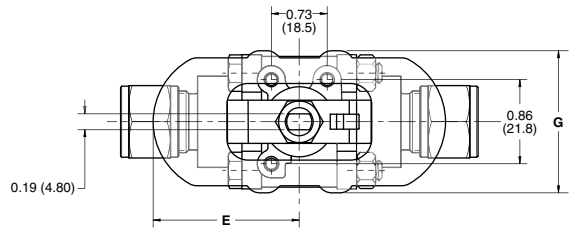
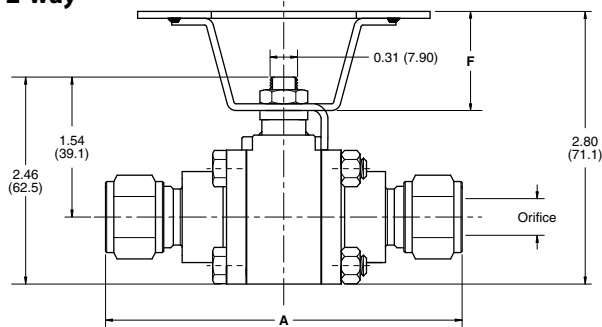
\* Orifice diameter and flow rate listed for the total valve. The most restrictive orifice may be either the ball or the end connection orifice. Dimensions for reference only, subject to change.

# 7 Series

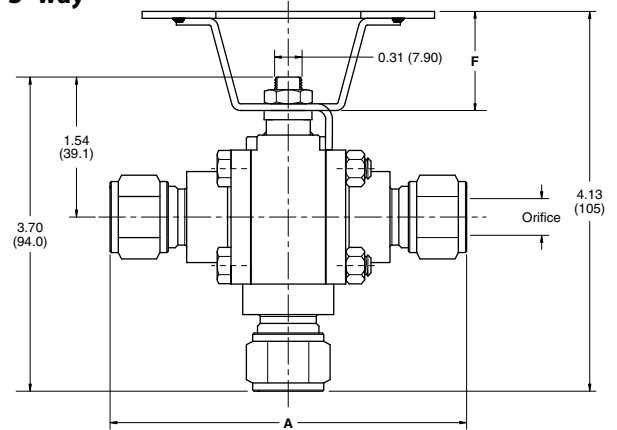
## Dimensions: 7E Series (Cv Range = 4.0 to 12.5)

	2-WAY	3-WAY
<b>ORIFICE SIZE</b>	0.30" - 0.50" (7.6mm - 12.7mm)	0.30" - 0.42" (7.6mm - 10.7mm)
<b>Cv RANGE</b>	4.5 - 12.5	4.0

**2-way**



**3-way**



### 7E Series (Cv Range = 4.0 to 12.5)

END CONNECTIONS	2-WAY			3-WAY			A
	BALL ORIFICE	ORIFICE*	Cv	BALL ORIFICE	ORIFICE*	Cv	
3/8" Gyrolok®	0.50"	0.30"	4.5	0.42"	0.30"	4.0	inch 3.31 mm 84.1
1/2" Gyrolok®	0.50"	0.42"	7.5	0.42"	0.42"	4.0	inch 3.80 mm 96.5
3/4" Gyrolok®	0.50"	0.50"	12.5	0.42"	0.42"	4.0	inch 3.80 mm 96.5
12mm Gyrolok®	0.50"	0.39"	7.0	0.42"	0.39"	4.0	inch 3.80 mm 96.5
18mm Gyrolok®	0.50"	0.50"	12.5	0.42"	0.42"	4.0	inch 3.80 mm 96.5
3/8" female NPT	0.50"	0.50"	12.5	0.42"	0.42"	4.0	inch 3.25 mm 82.5
1/2" female NPT	0.50"	0.50"	12.5	0.42"	0.42"	4.0	inch 3.25 mm 82.5
1/2" Vaculok™	0.50"	0.50"	12.5	0.42"	0.42"	4.0	inch 3.27 mm 83.1
3/8" tube socket weld	0.50"	0.30"	4.5	0.42"	0.30"	4.0	inch 2.36 mm 59.9
1/2" tube socket weld	0.50"	0.42"	7.5	0.42"	0.42"	4.0	inch 2.36 mm 59.9
3/4" tube socket weld	0.50"	0.50"	12.5	0.42"	0.42"	4.0	inch 2.36 mm 59.9
12mm tube socket weld	0.50"	0.42"	7.5	0.42"	0.42"	4.0	inch 2.36 mm 59.9
18mm tube socket weld	0.50"	0.50"	12.5	0.42"	0.42"	4.0	inch 2.36 mm 59.9
3/8" pipe socket weld	0.50"	0.50"	12.5	0.42"	0.42"	4.0	inch 2.36 mm 59.9
1/2" pipe socket weld	0.50"	0.50"	12.5	0.42"	0.42"	4.0	inch 2.36 mm 59.9
3/8" pipe butt weld sch 40	0.50"	0.42"	7.5	0.42"	0.42"	4.0	inch 2.10 mm 53.3
1/2" pipe butt weld sch 40	0.50"	0.50"	12.5	0.42"	0.42"	4.0	inch 2.10 mm 53.3
3/8" pipe butt weld sch 80	0.50"	0.42"	7.5	0.42"	0.42"	4.0	inch 2.10 mm 53.3
1/2" pipe butt weld sch 80	0.50"	0.50"	12.5	0.42"	0.42"	4.0	inch 2.10 mm 53.3

### Handles

**Oval handle**  
**E** 2.14" (54.4mm)  
**F** 1.50" (38.1mm)  
**G** 2.08" (52.8mm)

**Lever handle**  
**E** 3.72" (94.5mm)  
**F** 0.62" (15.7mm)  
**G** 0.63" (15.9mm)

Consult factory for additional end connection sizes.

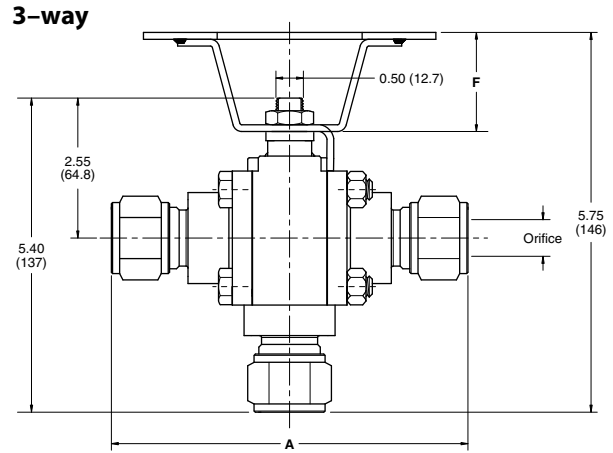
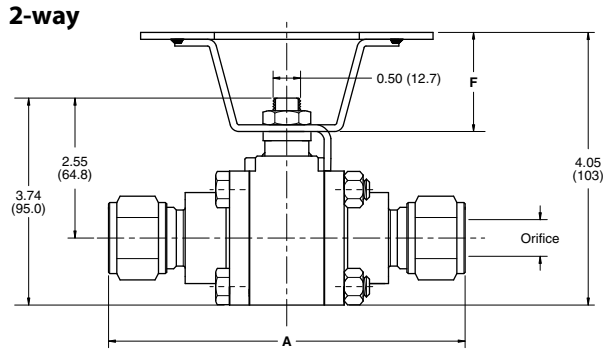
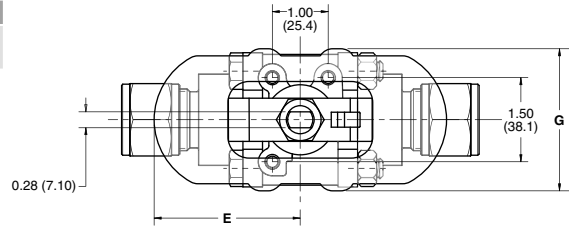
\* Orifice diameter and flow rate listed for the total valve. The most restrictive orifice may be either the ball or the end connection orifice. Dimensions for reference only, subject to change.



# 7 Series

## Dimensions: 7F Series (Cv Range = 7.5 to 38.0)

	2-WAY	3-WAY
<b>ORIFICE SIZE</b>	0.42" - 0.88" (10.7mm - 22.4mm)	0.42" - 0.63" (10.7mm - 16.0mm)
<b>Cv RANGE</b>	7.5 - 38.0	9.0



### 7F Series (Cv Range = 7.5 to 38.0)

END CONNECTIONS	2-WAY			3-WAY			A
	BALL ORIFICE	ORIFICE*	Cv	BALL ORIFICE	ORIFICE*	Cv	
1" Gyrolok®	0.88"	0.88"	38.0	0.63"	0.63"	9.0	inch 5.60 mm 142
25mm Gyrolok®	0.88"	0.88"	38.0	0.63"	0.63"	9.0	inch 3.69 mm 93.7
¾" female NPT sch 80	0.88"	0.88"	38.0	0.63"	0.63"	9.0	inch 3.69 mm 93.7
1" female NPT sch 80	0.88"	0.88"	38.0	0.63"	0.63"	9.0	inch 3.45 mm 87.6
1" tube socket weld	0.88"	0.88"	38.0	0.63"	0.63"	9.0	inch 3.45 mm 87.6
25mm tube socket weld	0.88"	0.88"	38.0	0.63"	0.63"	9.0	inch 3.45 mm 87.6
¾" pipe socket weld	0.88"	0.88"	38.0	0.63"	0.63"	9.0	inch 3.45 mm 87.6
1" pipe socket weld	0.88"	0.88"	38.0	0.63"	0.63"	9.0	inch 3.45 mm 87.6
¾" pipe butt weld sch 40	0.88"	0.75"	27.0	0.63"	0.63"	9.0	inch 3.45 mm 87.6
1" pipe butt weld sch 40	0.88"	0.88"	38.0	0.63"	0.63"	9.0	inch 3.45 mm 87.6
¾" pipe butt weld sch 80	0.88"	0.75"	27.0	0.63"	0.63"	9.0	inch 3.45 mm 87.6
1" pipe butt weld sch 80	0.88"	0.88"	38.0	0.63"	0.63"	9.0	inch 3.45 mm 87.6

#### Handles

##### Oval handle

**E** 2.61" (66.3mm)

**F** 1.75" (44.4mm)

**G** 2.54" (64.5mm)

##### Lever handle

**E** 5.44" (138mm)

**F** 0.80" (20.4mm)

**G** 0.75" (19.0mm)

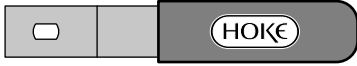
Consult factory for additional end connection sizes.

\* Orifice diameter and flow rate listed for the total valve. The most restrictive orifice may be either the ball or the end connection orifice. Dimensions for reference only, subject to change.

# 7 Series

## Accessories: Handles

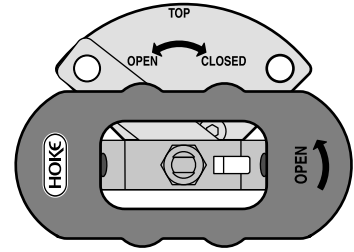
### Lever Handle\*



Handle Option "K"  
316 Stainless Steel

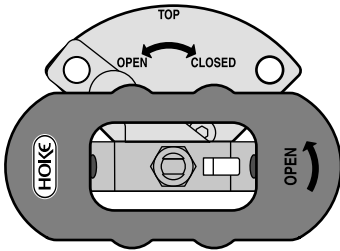
\* Standard handle for 7 Series

### Oval Locking Handle



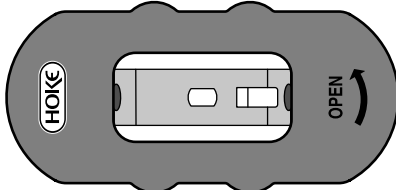
Handle Option "N"  
316 Stainless Steel

### Oval Locking/Latching Handle



Handle Option "L"  
316 Stainless Steel

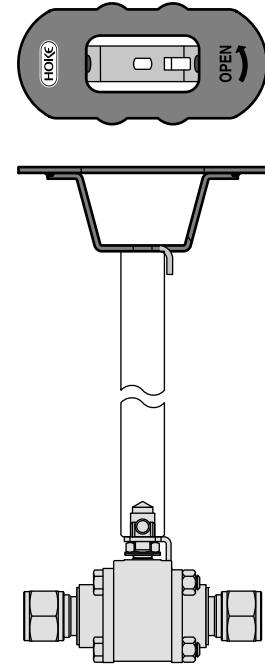
### Oval Handle



Handle Option "M" and "N"

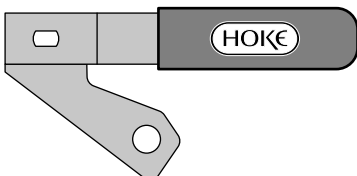
M – Zinc-plated carbon steel  
N – 316 stainless steel

### Oval Extended Handle\*



Handle Option "4"  
316 Stainless Steel

### Locking Lever Handle



Handle Option "S"  
316 Stainless Steel

# 7 Series

## How to Order: Standard Valves

Use the following list to order standard valves that are readily available from your local HOKE distributor. If your application requires a customized valve, use the 'Build to Order' matrix on page 26 for 2-way valves or page 27 for 3-way valves.

All valves listed in this matrix are built with the following components as standard:

- 316 stainless steel body\*
- 15% graphite-filled Teflon® seat\*
- PTFE body seal\*
- Graphite-filled Teflon®/316 stainless steel energized stem seal\*
- PEEK™ thrust washer\*
- 316 stainless steel body bolt
- 316 stainless steel ball\*
- 316 stainless steel handle
- FKM (Viton®) seat rings\*
- Standard cleaning

\* Wetted components

### 2-way Valves

END CONNECTION (ALL PORTS)	END CONNECTION SIZE	ACTUATION METHOD	PART NUMBER
Gyrolok®  <small>Metric Sizes 6mm, 8mm, 10mm, 12mm, 18mm, and 25mm are also available</small>	¼"	Lever handle	7D2GG04G04YKS10V
	⅜"	Lever handle	7D2GG06G06YKS10V
	½"	Lever handle	7E2GG08G08YKS10V
	¾"	Lever handle	7F2GG12G12YKS10V
	1"	Lever handle	7F2GG16G16YKS10V
	¼"	Oval handle	7D2GG04G04YNS10V
	⅜"	Oval handle	7D2GG06G06YNS10V
	½"	Oval handle	7E2GG08G08YNS10V
	¾"	Oval handle	7F2GG12G12YNS10V
	1"	Oval handle	7F2GG16G16YNS10V
	¼"	Normally closed spring return pneumatic	7D2GG04G04Y6S10V
	⅜"	Normally closed spring return pneumatic	7D2GG06G06Y6S10V
	½"	Normally closed spring return pneumatic	7E2GG08G08Y6S10V
	¾"	Normally closed spring return pneumatic	7F2GG12G12Y6S10V
	1"	Normally closed spring return pneumatic	7F2GG16G16Y6S10V
	Female NPT	¼"	Lever handle
⅜"		Lever handle	7D2GF06F06YKS10V
½"		Lever handle	7E2GF08F08YKS10V
¾"		Lever handle	7F2GF12F12YKS10V
1"		Lever handle	7F2GF16F16YKS10V
¼"		Oval handle	7D2GF04F04YNS10V
⅜"		Oval handle	7D2GF06F06YNS10V
½"		Oval handle	7E2GF08F08YNS10V
¾"		Oval handle	7F2GF12F12YNS10V
1"		Oval handle	7F2GF16F16YNS10V
¼"		Normally closed spring return pneumatic	7D2GF04F04Y6S10V
⅜"		Normally closed spring return pneumatic	7D2GF06F06Y6S10V
½"		Normally closed spring return pneumatic	7E2GF08F08Y6S10V
¾"		Normally closed spring return pneumatic	7F2GF12F12Y6S10V
1"		Normally closed spring return pneumatic	7F2GF16F16Y6S10V

### 3-way Valves

END CONNECTION (ALL PORTS)	END CONNECTION SIZE	ACTUATION METHOD	PART NUMBER
Gyrolok®  <small>Metric Sizes 6mm, 8mm, 10mm, 12mm, 18mm, and 25mm are also available</small>	¼"	Lever handle	7D3GG04G04G04YKS1V
	⅜"	Lever handle	7D3GG06G06G06YKS1V
	½"	Lever handle	7E3GG08G08G08YKS1V
	¾"	Lever handle	7F3GG12G12G12YKS1V
	1"	Lever handle	7F3GG16G16G16YKS1V
	¼"	Oval handle	7D3GG04G04G04YNS1V
	⅜"	Oval handle	7D3GG06G06G06YNS1V
	½"	Oval handle	7E3GG08G08G08YNS1V
	¾"	Oval handle	7F3GG12G12G12YNS1V
	1"	Oval handle	7F2GG16G16G16YNS1V
	¼"	Double acting pneumatic (switching)	7D3GG04G04G04Y5S1V
	⅜"	Double acting pneumatic (switching)	7D3GG06G06G06Y5S1V
	½"	Double acting pneumatic (switching)	7E3GG08G08G08Y5S1V
	¾"	Double acting pneumatic (switching)	7F3GG12G12G12Y5S1V
	1"	Double acting pneumatic (switching)	7F3GG16G16G16Y5S1V

#### FOR YOUR SAFETY

IT IS SOLELY THE RESPONSIBILITY OF THE SYSTEM DESIGNER AND USER TO SELECT PRODUCTS SUITABLE FOR THEIR SPECIFIC APPLICATION REQUIREMENTS AND TO ENSURE PROPER INSTALLATION, OPERATION AND MAINTENANCE OF THESE PRODUCTS. MATERIAL COMPATIBILITY, PRODUCT RATINGS AND APPLICATION DETAILS SHOULD BE CONSIDERED IN THE SELECTION. IMPROPER SELECTION OR USE OF PRODUCTS DESCRIBED HEREIN CAN CAUSE PERSONAL INJURY OR PROPERTY DAMAGE.

# 7 Series

## How to Order: Build to Order for 2-way Valves

Use the matrix below to customize your 7 Series valve. Use the chart on page 25 to order standard, readily available 7 Series valves. **Standard items in bold.**

**7E2 G G08 G08 Y K S 2 0 V**

**SERIES NUMBER**  
**7D2** Cv Range 1.0 to 3.8  
**7E2** Cv Range 4.0 to 12.5  
**7F2** Cv Range 7.5 to 38.0  
 (See pages 21-23)

**SEAT & SEAL MATERIAL**  
**G** 15% Graphite filled Teflon®  
**T** PTFE  
**P** PEEK™  
**U** UHMWPE  
**V** Virgin TFE  
**O** PTFE/FKM O-ring  
**R** PTFE/Reinforced PTFE washer  
*Consult factory if valve is actuated pneumatically*

**Inlet PORT END**  
See 'Inlet / Outlet Ports' table below

**Outlet PORT END**  
See 'Inlet / Outlet Ports' table below

**WETTED METAL COMPONENTS**  
**Y** 316 stainless steel (standard)  
**H** Hastelloy® C-276 or equivalent  
**M** Monel® 400  
 Consult factory for other materials

**ACTUATION OPTIONS**  
**Lever Handles (see page 24)**  
**K** 316 stainless steel (standard)  
**S** 316 stainless steel, locking

**Ergonomic Oval Handles (see page 24)**  
**L** 316 stainless steel, latching/locking  
**M** Zinc-plated carbon steel  
**N** 316 stainless steel  
**3** 316 stainless steel, locking  
**4** 316 stainless steel, extended (standard length = 4")\*\*

**Pneumatic Actuator†**  
**5** Double acting (air to open/air to close)  
**6** Normally closed (spring returned)  
**7** Normally open (spring returned)

**ANSI B16.34**  
**Blank-Standard**  
**B** ANSI/ASME B16.34 Class 800\*

**SEAT RINGS**  
**V** FKM (Viton®) (standard)  
**K** Kalrez® (-58° to +450° F / -50° to +232° C)  
**E** EPDM (-65° to +250° F / -54° to +121° C)  
**Blank** Seat rings are replaced with 2 opposing curved disc springs on upstream side. Valve becomes unidirectional when selecting this option. (Refer to drawing on bottom of page 17).

**Ball**  
**0** Standard ball  
**1** Upstream vented ball, 316 stainless steel  
**2** Steam trap test valve  
 (Note: Cannot be used in 7D Valves)

**BODY BOLT, BODY NUT, AND STEM NUT**  
**2** 316 stainless steel  
**3** 316 stainless steel -NACE compliant\*\*\*

**CLEANING OPTIONS**  
 See page 27 for details  
**S** Standard cleaning per HPS-1 and -2  
**A** Industrial oxygen cleaning per HPS-18  
**B** Chlorine service cleaning per HPS-172  
 \*\*\* Per NACE MR0175/ISO15156, the user must determine if this product is satisfactory for use in its intended environment.

**FOR YOUR SAFETY**

IT IS SOLELY THE RESPONSIBILITY OF THE SYSTEM DESIGNER AND USER TO SELECT PRODUCTS SUITABLE FOR THEIR SPECIFIC APPLICATION REQUIREMENTS AND TO ENSURE PROPER INSTALLATION, OPERATION AND MAINTENANCE OF THESE PRODUCTS. MATERIAL COMPATIBILITY, PRODUCT RATINGS AND APPLICATION DETAILS SHOULD BE CONSIDERED IN THE SELECTION. IMPROPER SELECTION OR USE OF PRODUCTS DESCRIBED HEREIN CAN CAUSE PERSONAL INJURY OR PROPERTY DAMAGE.

\* Valves proof tested to 1.5x working pressure and tagged per B16.34.  
 \*\* Consult factory for additional lengths.  
 † Refer to page 29 for specifications.

### Inlet / Outlet Ports

SERIES	SIZE	GYROLOK®	FEMALE NPT	TUBE SOCKET WELD	TUBE BUTT WELD	PIPE SOCKET WELD	SCH 80 PIPE BUTT WELD	SCH 40 PIPE BUTT WELD
7D2	1/8"	G02	—	—	—	—	—	—
	1/4"	G04	F04	T04	—	P04	B04	H04
	3/8"	G06	—	T06	—	—	B06	H06
	6mm	Z06	—	W06	—	—	—	—
	8mm	Z08	—	W08	—	—	—	—
	10mm	Z10	—	W10	—	—	—	—

### Inlet / Outlet Ports

SERIES	SIZE	GYROLOK®	FEMALE NPT	TUBE SOCKET WELD	TUBE BUTT WELD	PIPE SOCKET WELD	SCH 80 PIPE BUTT WELD	SCH 40 PIPE BUTT WELD
7E2	1/4"	G04	F04	T04	S04	—	B04	—
	3/8"	G06	F06	T06	S06	P06	B06	H06
	1/2"	G08	F08	T08	S08	P08	B08	H08
	5/8"	G10	—	T10	—	—	—	—
	3/4"	G12	—	T12	S12	—	—	—
	1"	—	—	—	S16	—	—	—
	6mm	Z06	—	W06	—	—	—	—
	8mm	Z08	—	W08	—	—	—	—
	10mm	Z10	—	W10	—	—	—	—
	12mm	Z12	—	W12	—	—	—	—
	14mm	Z14	—	W14	—	—	—	—
	15mm	Z15	—	W15	—	—	—	—
16mm	Z16	—	W16	—	—	—	—	
18mm	Z18	—	W18	—	—	—	—	
7F2	3/4"	G12	F12	T12	—	P12	B12	H12
	5/8"	G14	—	—	—	—	—	—
	1"	G16	F16	T16	—	P16	B16	H16
	18mm	Z18	—	—	—	—	—	—
	20mm	Z20	—	—	—	—	—	—
	22mm	Z22	—	—	—	—	—	—
	25mm	Z25	—	W25	—	—	—	—

# 7 Series

## How to Order: Build to Order for 3-way Valves

Use the matrix below to customize your 7 Series valve. Use the chart on page 25 to order standard, readily available 7 Series valves. **Standard items in bold.**

**7E3 G G08 G08 G08 Y K S 2 V**

**SERIES NUMBER**  
**7D3 Cv Range 1.0–3.8**  
**7E3 Cv Range 4.0–12.5**  
**7F3 Cv Range 7.5–38.0**  
 (See pages 20-22)

**SEAT & SEAL MATERIAL**  
**G 15% Graphite filled Teflon®**  
 T PTFE  
 P PEEK™  
 U UHMWPE  
 V Virgin TFE  
 O PTFE/FKM O-ring  
 R PTFE/Reinforced PTFE washer

*Consult factory if valve is actuated pneumatically*

**PORT 1 END**  
See 'Ports' table below

**PORT 2 END**  
See 'Ports' table below

**PORT 3 END**  
See 'Ports' table below

**WETTED METAL COMPONENTS**  
**Y 316 stainless steel (standard)**  
 H Hastelloy® C-276  
 M Monel® 400  
 Consult factory for other materials

**ACTUATION OPTIONS**  
**Lever Handles (see page 24)**  
**K 316 stainless steel (standard)**  
**S 316 stainless steel, locking**

**Ergonomic Oval Handles (see page 24)**  
**3 316 stainless steel, locking**  
**4 316 stainless steel, extended (standard length = 4")**  
**L 316 stainless steel, latching/locking**  
**M Zinc-plated carbon steel**  
**N 316 stainless steel**

**Pneumatic Actuator†**  
**5 Double acting (air to open/air to close, 180° rotation)**  
**6 Spring return (180° rotation)**

**ANSI B16.34**  
**Blank-Standard**  
**B ANSI/ASME B16.34 Class 800\***

**SEAT RINGS**  
**V FKM (Viton®) (standard)**  
**K Kalrez® (-58° to +450° F / -50° to +232° C)**  
**E EPDM (-65° to +250° F / -54° to +121° C)**

**BODY BOLT, BODY NUT, AND STEM NUT**  
**2 316 stainless steel**  
**3 316 stainless steel –NACE compliant\*\***

**CLEANING OPTIONS (see below)**  
**S Standard cleaning per HPS-1 and -2**  
**A Industrial oxygen cleaning per HPS-18**  
**B Chlorine service cleaning per HPS-172**

\* Valves proof tested to 1.5x working pressure and tagged per B16.34.  
 \*\* Per NACE MR0175/ISO15156, the user must determine if this product is satisfactory for use in its intended environment.  
 † Refer to page 29 for specifications.

## Port 1 / Port 2 / Port 3

SERIES	SIZE	GYROLOK®	FEMALE NPT	TUBE SOCKET WELD	TUBE BUTT WELD	PIPE SOCKET WELD	SCH 80 PIPE BUTT WELD	SCH 40 PIPE BUTT WELD
7D3	¼"	G02	—	—	—	—	—	—
	¼"	G04	F04	T04	—	P04	B04	H04
	⅜"	G06	—	T06	—	—	B06	H06
	6mm	Z06	—	W06	—	—	—	—
	8mm	Z08	—	W08	—	—	—	—
	10mm	Z10	—	W10	—	—	—	—
7E3	¼"	G04	F04	T04	S04	—	B04	—
	⅜"	G06	F06	T06	—	P06	B06	H06
	½"	G08	F08	T08	—	P08	B08	H08
	⅝"	G10	—	T10	—	—	—	—
	¾"	G12	—	T12	—	—	—	—
	1"	—	—	—	S16	—	—	—
	6mm	Z06	—	W06	—	—	—	—
	8mm	Z08	—	W08	—	—	—	—
	10mm	Z10	—	W10	—	—	—	—
	12mm	Z12	—	W12	—	—	—	—
7F3	14mm	Z14	—	W14	—	—	—	—
	15mm	Z15	—	W15	—	—	—	—
	16mm	Z16	—	W16	—	—	—	—
	18mm	Z18	—	W18	—	—	—	—
	¾"	G12	F12	T12	—	P12	B12	H12
	⅞"	G14	—	—	—	—	—	—
	1"	G16	F16	T16	—	P16	B16	H16
	18mm	Z18	—	—	—	—	—	—
	20mm	Z20	—	—	—	—	—	—
	22mm	Z22	—	—	—	—	—	—
25mm	Z25	—	W25	—	—	—	—	

## Cleaning Options

- HPS-1** Cleaning procedure to remove oil and grease from metal valve parts with solvent vapor- and solvent ultrasonic vapor degreasers.
- HPS-2** Cleaning procedure to remove dirt, oil, and grease from non-metallic parts with non-ionic detergent and water solution.
- HPS-18** Cleaning procedure to remove oil, grease, and other contaminants from the valve and fitting components prior to assembly for industrial oxygen service.
- HPS-172** Procedure to clean and package valve parts and assemblies for use with dry chlorine gas or liquid.

# 7 Series – Accessories

## NEMA 7 Position Monitor

Fully compatible with Hoke 07L Series pneumatic actuators, the NEMA 7 position monitor provides both electrical and visual verification of valve status. This device is especially useful in hard to reach areas including exhaust stacks, tanks, and areas where digital feedback is not readily available.

### Features & Benefits

- Aluminum housing with powder-coated epoxy finish provides rugged protection for years of maintenance free service
- 90° Black/Yellow indicator provides clear position indication
- Separate 3/4" female threaded conduit openings for installation flexibility
- Setting system utilizes an internal leaf spring design that precisely positions and locks onto a splined shaft
- Cam system is easy to adjust, and includes a 303 stainless steel 1/4" NAMUR shaft
- Hermetically-sealed switches offer high level protection from moisture, shock, and corrosive environments for long life, accuracy and reliability

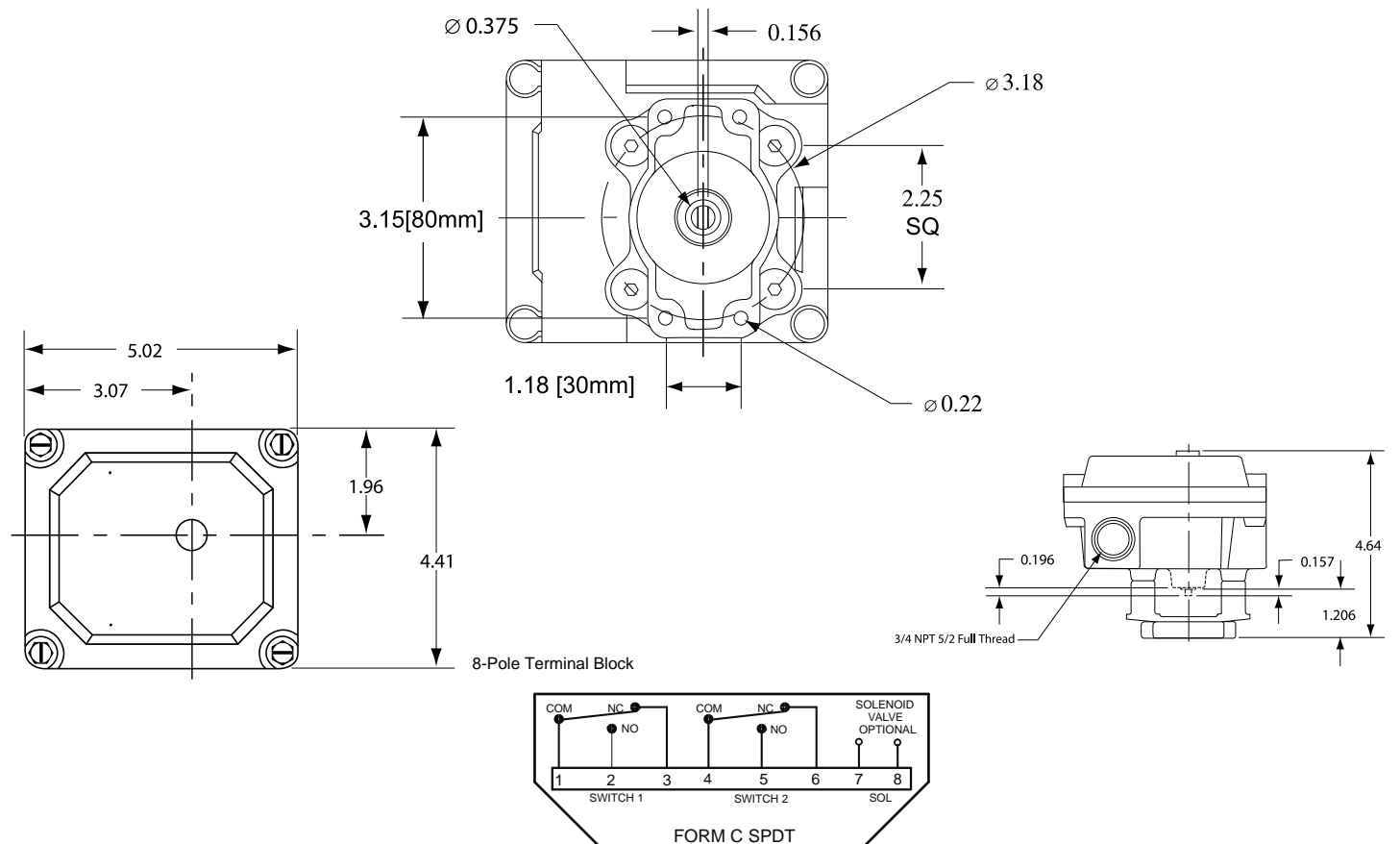


### Technical Data

HOUSING	NEMA 7 Aluminum
BEARINGS	316 stainless steel
PROXIMITY SWITCHES	2 switches, 3-amps
VOLTAGE	120 Volts AC/DC
WATTAGE	100 Watts
OPERATING TEMPERATURE RANGE	-40° F to 257° F (-40° C to 125° C)
TERMINAL TYPE	8-pole fixed terminal strip
MOUNTING	80mm x 20mm NAMUR mounting

For field installation order number: ZASAC-21110

To order factory installation, add "/ZASAC-21110 to end of 7 Series part number



# 7 Series

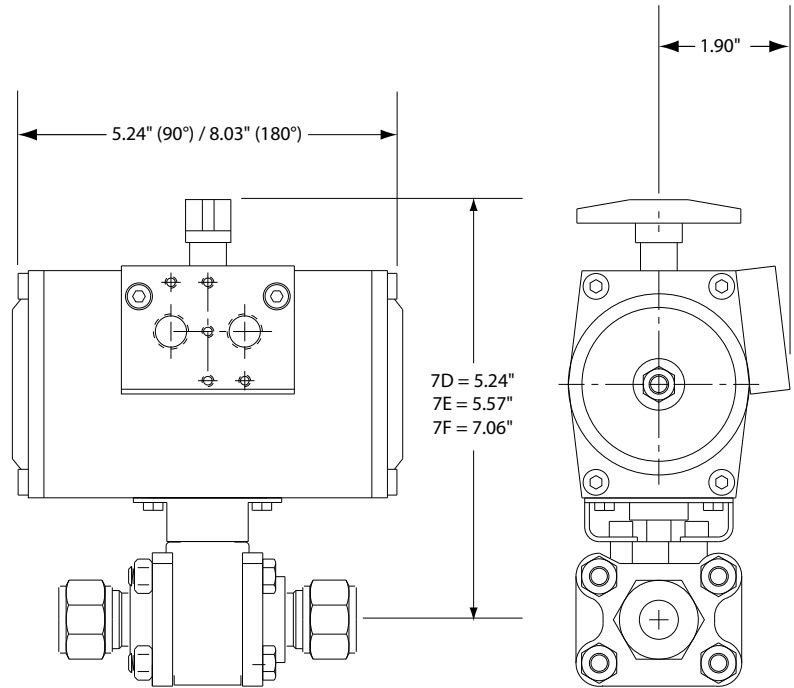
## Pneumatic Actuators

For remote actuation of 7 Series Ball Valves, order a pneumatic actuator and mounting kit for field assembly (see below) or use the "How to Order" guide on page 26 for factory assembly. Actuators for 7 Series are available in Double Acting (air to open and air to close) or Spring Return (normally open or normally closed) versions.

### Features & Benefits

- Durable construction stands up to harsh environmental conditions, increasing durability and reliability.
- Compact size provides greater installation flexibility in tight spaces.
- Field assembled valve/actuator option provides simple conversion of manual valve to pneumatic operation. This increases flexibility and decreases installation costs.
- Top mounted actuator allows for conversion from manual valve to pneumatic operation without disrupting packing. Ensuring leak-tightness and improving reliability.
- Long cycle life results in reduced maintenance requirements and lower cost of ownership.

Limit switches, electro-pneumatic and electric actuators are available upon request. Please consult your local distributor.



## How to Order: Actuators and Mounting Kits

### Actuator Pressure Requirements (Double Acting)

VALVE SERIES	DESCRIPTION	ACTUATOR PART NUMBER	MOUNTING KIT PART NUMBER	OPERATING TORQUE (IN LBS) FOR ACTUATOR INLET PRESSURE				
				40 PSIG	60 PSIG	80 PSIG	100 PSIG	120 PSIG
7D2	Double acting (90°)	07L90DA/ISO	7DM05K	151	227	302	378	453
7E2	Double acting (90°)	07L90DA/ISO	7EM05K					
7F2	Double acting (90°)	07L90DA/ISO	7FL07K					
7D3	Double acting (180°)	07L180DA/ISO	7DM05K					
7E3	Double acting (180°)	07L180DA/ISO	7EM05K					
7F3	Double acting (180°)	07L180DA/ISO	7FL07K					

Standard actuator operating temperature =  $-4^{\circ}$  to  $+194^{\circ}$  F ( $-20^{\circ}$  C to  $+90^{\circ}$  C); optional high temperature version to  $+320^{\circ}$  F ( $+160^{\circ}$  C).

### Actuator Pressure Requirements (Spring Return)

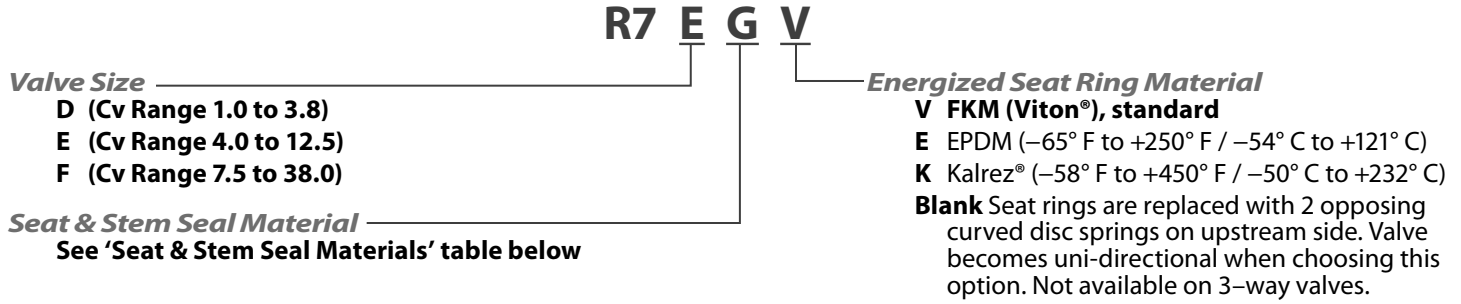
VALVE SERIES	DESCRIPTION	ACTUATOR PART NUMBER	MOUNTING KIT PART NUMBER	OPERATING TORQUE (IN LBS) FOR ACTUATOR INLET PRESSURE										CLOSING FORCE (IN LBS)
				40 PSIG		60 PSIG		80 PSIG		100 PSIG		120 PSIG		
				START	END	START	END	START	END	START	END	START	END	
7D2	Spring Return	07L90SR2/ISO	7DM05K	69	93	144	168	218	242	293	317	367	391	38
7E2	Spring Return	07L90SR2/ISO	7EM05K											
7F2	Spring Return	07L90SR2/ISO	7FL07K											
7D3	Spring Return	07L180SR2/ISO	7DM05K											
7E3	Spring Return	07L180SR2/ISO	7EM05K											
7F3	Spring Return	07L180SR2/ISO	7FL07K											

Standard actuator operating temperature =  $-4^{\circ}$  to  $+194^{\circ}$  F ( $-20^{\circ}$  C to  $+90^{\circ}$  C); optional high temperature version to  $+320^{\circ}$  F ( $+160^{\circ}$  C).

# 7 Series

## Valve Spare Parts

Kit contents: Seats, energized Teflon® stem seals, thrust washer, body seal, TFR-61 rebuild instructions. **Standard items in bold.**



### Seat & Stem Seal Materials

DESIGNATOR	SEAT	ENERGIZED STEM SEALS	BODY SEAL	THRUST WASHER
<b>G (standard)</b>	<b>15% graphite-filled Teflon®</b>	<b>Graphite-filled Teflon®/Elgiloy®</b>	<b>PTFE</b>	<b>PTFE</b>
O	PTFE	Graphite-filled Teflon®/Elgiloy®	FKM (Viton®) o-ring	PEEK™
P	PEEK™	Graphite-filled Teflon®/Elgiloy®	PTFE	PEEK™
R	PTFE	Graphite-filled Teflon®/Elgiloy®	PTFE	PTFE
T	PTFE	Graphite-filled Teflon®/Elgiloy®	PTFE	PEEK™
U	UHMWPE	Graphite-filled Teflon®/Elgiloy®	PTFE	PEEK™
V	TFE (Viton®)	Graphite-filled Teflon®/Elgiloy®	PTFE	PEEK™





## 7 Series—Fire Safe

### 2-way, 3-piece Bolted Ball Valves

HOKE's 7 Series Fire Safe Valves meet demanding application requirements in the production environment of chemical and petrochemical processing facilities. These valves have been tested to and meet the requirements of API 607, 4<sup>th</sup> edition for soft-seated valves. API 607 measures the ability of a closed soft-seated ball valve to retard the propagation of a fire (downstream and to atmosphere). The 7 Series Fire Safe Valves offer high flow, safety, and flexibility in a variety of end connections and sizes. This series is available in fractional sizes from ½" to 1" and in metric sizes from 12mm to 25mm in tube and pipe ends.



### Typical Applications

- Chemical processing
- Petroleum refining
- Gas distribution
- Hydraulic fluids

### Technical Data

<b>BODY MATERIAL*</b>	316 stainless steel, grade CF8M
<b>MAXIMUM OPERATING PRESSURE</b>	1500 psig @ 70° F (103 bar @ 21° C)
<b>OPERATING TEMPERATURE RANGE</b>	-40° F to +500° F (-40° C to +260° C)
<b>ORIFICE SIZE</b>	0.28" to 0.88" (7.1mm to 22.3mm)
<b>Cv FACTORS</b>	4.5 to 38
<b>END CONNECTIONS</b>	Gyrolok® tube fittings, female NPT, tube socket weld, pipe socket weld, pipe butt weld

\* Consult factory for other materials

### Features & Benefits

- Bottom-loaded stem prevents stem blowout for added safety.
- Fully encapsulated bolts are protected from the environment, extending valve life and reducing costs.
- Optional trip-proof or latching/locking handle prevents accidental opening or closing of the valve for a secure process.
- Optional fuse plugs are available on actuators for added safety.
- Fire-safe design retards the propagation of a fire downstream or to the atmosphere, enhancing safety and increasing the range of possible applications.
- Handle provides a visual indicator of whether valve is in the open or closed position, enhancing safety.
- Stem flats provide visual indication of valve position, improving safety.
- Actuators can be mounted to valves without disrupting the packing, seats or seals. Installation time and costs are minimized.
- Special High Tolerance NPT Thread

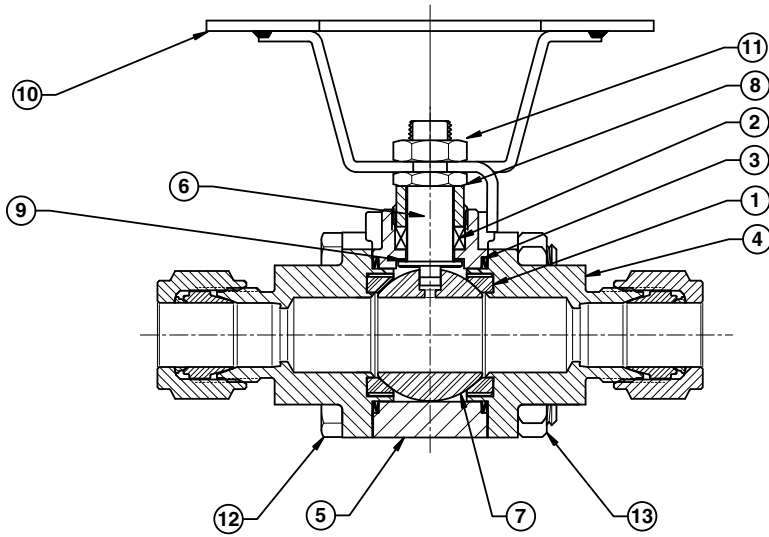
### HOKE Incorporated

405 Centura Court • PO Box 4866 (29305) • Spartanburg, SC 29303  
Phone (864) 574-7966 Fax (864) 587-5608  
www.hoke.com • sales@hoke.com

ball valves

# 7 Series – Fire Safe

## Materials of Construction



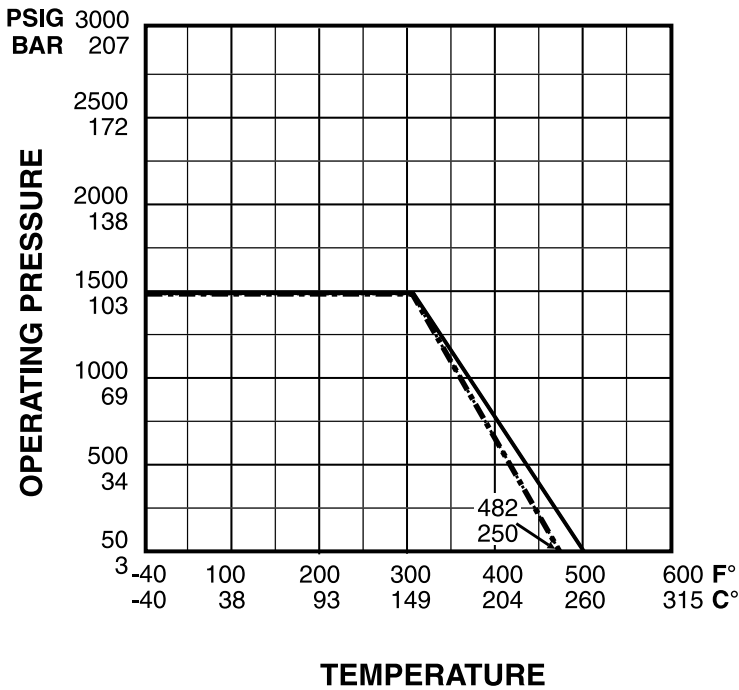
#	DESCRIPTION	MATERIAL
1	Seat*	PTFE**
2	Packing*	Grafoil®
3	Body seal*	316 stainless steel, PTFE coated
4	End plate*	316 stainless steel, grade CF3M
5	Body*	316 stainless steel, grade CF8M
6	Stem*	316 stainless steel
7	Ball*	316 stainless steel
8	Packing nut	316 stainless steel
9	Thrust washer*	PTFE or PEEK™
10	Handle	316 stainless steel
11	Stem nut	316 stainless steel
12	Body bolt	316 stainless steel
13	Body nut	316 stainless steel

Other materials available upon request.

\* Wetted Components

\*\* PTFE seat is modified to reduce cold flow and increase durability without losing inert property.

## Pressure vs. Temperature Chart



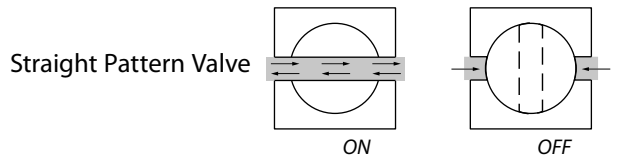
### TEMPERATURE

----- PEEK® Seat  
 ——— PTFE Seat

SEAT	BODY SEAL	PACKING	THRUST WASHER
T PTFE*	Stainless steel PTFE coated	Grafoil®	PTFE
P PEEK™	Stainless steel PTFE coated	Grafoil®	PEEK™

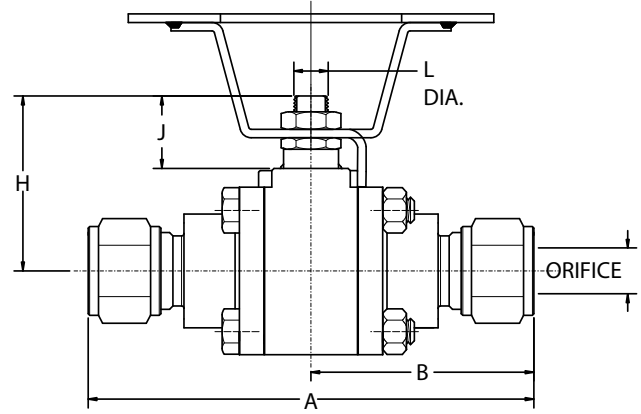
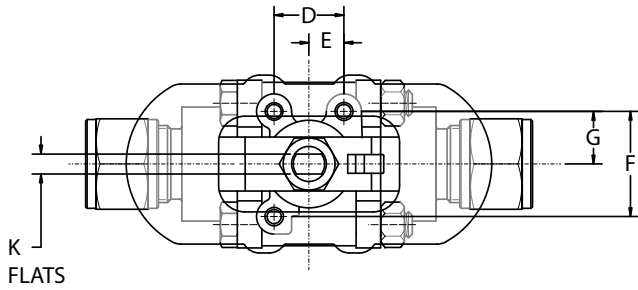
\* PTFE seat is modified to reduce cold flow and increase durability without losing inert property

## Flow Diagrams – 2-way valve



# 7 Series – Fire Safe

## Dimensions



### 7EF Series (C<sub>v</sub> Range 4.5 - 12.5)

END CONNECTION	ORIFICE	C <sub>v</sub>	A	B	D	E	F	G	H	J	K	L
3/8" Gyrolok®	0.30"	4.5	3.31"	1.70"								
1/2" Gyrolok®	0.42"	7.5	3.80"	1.90"								
3/4" Gyrolok®	0.50"	12.5	3.80"	1.90"								
12mm Gyrolok®	0.39"	7.0	3.80"	1.90"								
18mm Gyrolok®	0.50"	12.5	3.80"	1.90"								
3/8" FNPT sch 80	0.50"	12.5	3.25"	1.67"								
1/2" FNPT sch 80	0.50"	15	3.25"	1.67"								
3/8" tube socket weld	0.30"	4.5	2.36"	1.18"	0.73"	0.37"	0.35"	0.43"	1.54"	0.59"	0.19"	0.31"
1/2" tube socket weld	0.42"	7.5	2.36"	1.18"	18.5mm	9.4mm	8.9mm	10.9mm	39.1mm	15.0mm	4.8mm	7.9mm
3/4" tube socket weld	0.50"	12.5	2.36"	1.18"								
12mm tube socket weld	0.42"	7.5	2.36"	1.18"								
18mm tube socket weld	0.50"	12.5	2.36"	1.18"								
3/8" pipe socket weld sch 80	0.50"	12.5	2.36"	1.18"								
1/2" pipe socket weld sch 80	0.50"	12.5	2.36"	1.18"								
3/8" pipe butt weld sch 80	0.42"	7.5	2.10"	1.05"								
1/2" pipe butt weld sch 80	0.50"	12.5	2.10"	1.05"								

### 7FF Series (C<sub>v</sub> Range 27 - 38)

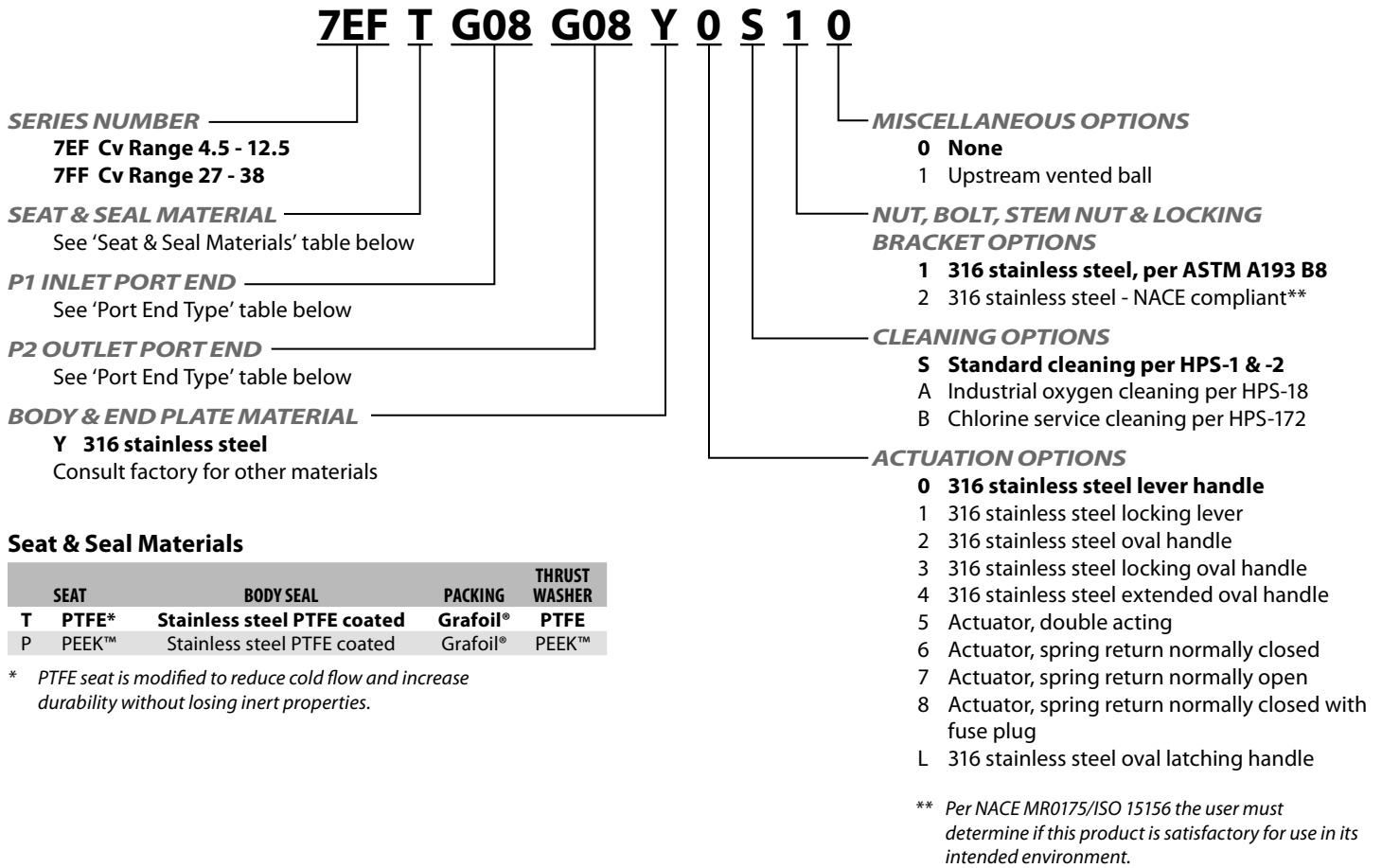
END CONNECTION	ORIFICE	C <sub>v</sub>	A	B	D	E	F	G	H	J	K	L
1" Gyrolok®	0.88"	38	5.60"	2.80"								
25mm Gyrolok®	0.88"	38	5.60"	2.80"								
3/4" FNPT sch 80	0.88"	38	3.69"	1.85"								
1" FNPT sch 80	0.88"	38	3.69"	1.85"								
1" tube socket weld	0.88"	38	3.45"	1.73"	1.00"	0.50"	1.50"	0.75"	2.20"	0.80"	0.28"	0.50"
25mm tube socket weld	0.88"	38	3.45"	1.73"	25.4 mm	12.7mm	38.1mm	19.1mm	55.9mm	20.3mm	7.1mm	12.7mm
3/4" pipe socket weld sch 80	0.88"	38	3.45"	1.73"								
1" pipe socket weld sch 80	0.88"	38	3.45"	1.73"								
3/4" pipe butt weld sch 80	0.75"	27	3.45"	1.73"								
1" pipe butt weld sch 80	0.88"	38	3.45"	1.73"								

Note: Orifice dimension and C<sub>v</sub> are listed for the total valve.  
Dimensions for reference only, subject to change.

# 7 Series – Fire Safe

## How to Order

Standard items in bold.



### Seat & Seal Materials

SEAT	BODY SEAL	PACKING	THRUST WASHER
<b>T PTFE*</b>	<b>Stainless steel PTFE coated</b>	<b>Grafoil®</b>	<b>PTFE</b>
P PEEK™	Stainless steel PTFE coated	Grafoil®	PEEK™

\* PTFE seat is modified to reduce cold flow and increase durability without losing inert properties.

### P1 Inlet / P2 Outlet Ports End Type

SERIES	SIZE	GYROLOK®	FEMALE NPT	TUBE SOCKET WELD	PIPE SOCKET WELD	PIPE BUTT WELD
<b>7EF</b>	3/8"	G06	F06	T06	P06	B06
	1/2"	G08	F08	T08	P08	B08
	3/4"	G12	—	T12	—	—
	12mm	Z12	—	W12	—	—
	18mm	Z18	—	W18	—	—
<b>7FF</b>	3/4"	—	F12	—	P12	B12
	1"	G16	F16	T16	P16	B16
	25mm	Z25	—	W25	—	—

#### FOR YOUR SAFETY

IT IS SOLELY THE RESPONSIBILITY OF THE SYSTEM DESIGNER AND USER TO SELECT PRODUCTS SUITABLE FOR THEIR SPECIFIC APPLICATION REQUIREMENTS AND TO ENSURE PROPER INSTALLATION, OPERATION AND MAINTENANCE OF THESE PRODUCTS. MATERIAL COMPATIBILITY, PRODUCT RATINGS AND APPLICATION DETAILS SHOULD BE CONSIDERED IN THE SELECTION. IMPROPER SELECTION OR USE OF PRODUCTS DESCRIBED HEREIN CAN CAUSE PERSONAL INJURY OR PROPERTY DAMAGE.

### Cleaning Options

- HPS-1** Cleaning procedure to remove oil and grease from metal valve parts with solvent vapor- and solvent ultrasonic vapor degreasers.
- HPS-2** Cleaning procedure to remove dirt, oil, and grease from non-metallic parts with non-ionic detergent and water solution.
- HPS-18** Cleaning procedure to remove oil, grease, and other contaminants from the valve and fitting components prior to assembly for industrial oxygen service.
- HPS-172** Procedure to clean and package valve parts and assemblies for use with dry chlorine gas or liquid.

\*\* Per NACE MR0175/ISO 15156 the user must determine if this product is satisfactory for use in its intended environment.

## ***For Your Safety***

---

It is solely the responsibility of the system designer and user to select products suitable for their specific application requirements and to ensure proper installation, operation, and maintenance of these products. Material compatibility, product ratings and application details should be considered in the selection. Improper selection or use of products described herein can cause personal injury or property damage.

*VCR® is a registered trademark of Cajon Co.*

*Dow Corning® is a registered trademark of Dow Corning Corporation*

*Nylatron® is a registered trademark of DSM Engineering Plastic Products*

*Teflon® is a registered trademark of the DuPont Company*

*Kalrez® and Viton® are registered trademarks of DuPont DOW Elastomers*

*Dyneon™ is a trademark of Dyneon*

*Elgiloy® is a registered trademark of Elgiloy Specialty Metals*

*Gyrolok®, Dyna-Pak®, Rotoball®, Flomite®, Selectomite®, and Multimite® are registered trademarks of HOKE, Inc.*

*Space Saver™, Ultramite™, and Vaculok™ are trademarks of HOKE, Inc.*

*Rulon® is a registered trademark of Saint-Gobain Corporation*

*Monel® and Inconel® are registered trademarks of Special Metals Corporation*

*Swagelok® is a registered trademark of Swagelok Company*

*Grafoil® is a registered trademark of GrafTech International, Inc.*

*PEEK™ is a trademark of Victrex PLC*

[www.dowcorning.com](http://www.dowcorning.com)

[www.dsm.com](http://www.dsm.com)

[www.dupont-dow.com](http://www.dupont-dow.com)

[www.3m.com](http://www.3m.com)

[www.elgiloy.com](http://www.elgiloy.com)

[www.hoke.com](http://www.hoke.com)

[www.hoke.com](http://www.hoke.com)

[www.saint-gobain.com](http://www.saint-gobain.com)

[www.specialmetals.com](http://www.specialmetals.com)

[www.swagelok.com](http://www.swagelok.com)

[www.graftech.com](http://www.graftech.com)

[www.victrex.com](http://www.victrex.com)

# CIRCOR

Instrumentation Technologies

## Our Company

CIRCOR Instrumentation Technologies (CIT) is the logical choice for fluid control solutions. We provide the lowest cost of ownership, offering the best in class reliability and availability of our products. We have global coverage, delivering value in the form of local, flexible service to meet our customer's needs. CIT is a product group specializing in instrumentation with orifice sizes typically up to 2".



Our corporate head office and ISO 9001:2000 registered manufacturing facilities are located at 405 Centura Court, Spartanburg, SC, USA, 29303  
Tel +1-864-574-7966 • Fax +1-864-587-5608  
[www.hoke.com](http://www.hoke.com) • [www.circortechnologies.com](http://www.circortechnologies.com)

Proudly Distributed By:

