



## 7223D Series

High Performance Rotoball® Valve; Bi-Directional Flow

The 7223D Series is designed for demanding high cycle actuation applications. The high performance Rotoball® valve is ideally suited for manual and actuated CNG and alternative fuel applications.



### Typical Applications

- CNG fuel stations
- CNG vehicles
- Hydrogen fuel cells
- Hydrogen vehicles
- Test stands
- Pilot plants

### Technical Data

<b>BODY MATERIAL*</b>	316 stainless steel, Monel®
<b>MAXIMUM OPERATING PRESSURE</b>	5000 psig (345 bar) @ 70° F (21° C)
<b>OPERATING TEMPERATURE RANGE</b>	-65° F to +350° F (-54° C to +177° C)
<b>ORIFICE</b>	0.375" (9.35mm)
<b>Cv FACTOR</b>	3.4
<b>END CONNECTIONS</b>	Gyrolok®, NPT, SAE
<b>PROOF PRESSURE</b>	10,000 psig (690 bar) @ 70° F (21° C)

\* Consult factory for other materials

### Features & Benefits

- Blowout-proof stem for added safety
- High performance Delta stem seal design for extended cycle life and reduced cost of ownership.
- Variety of end connections for greater system design flexibility
- Variety of O-rings available to meet specific system / media requirements.
- Special High Tolerance NPT Thread

ball valves

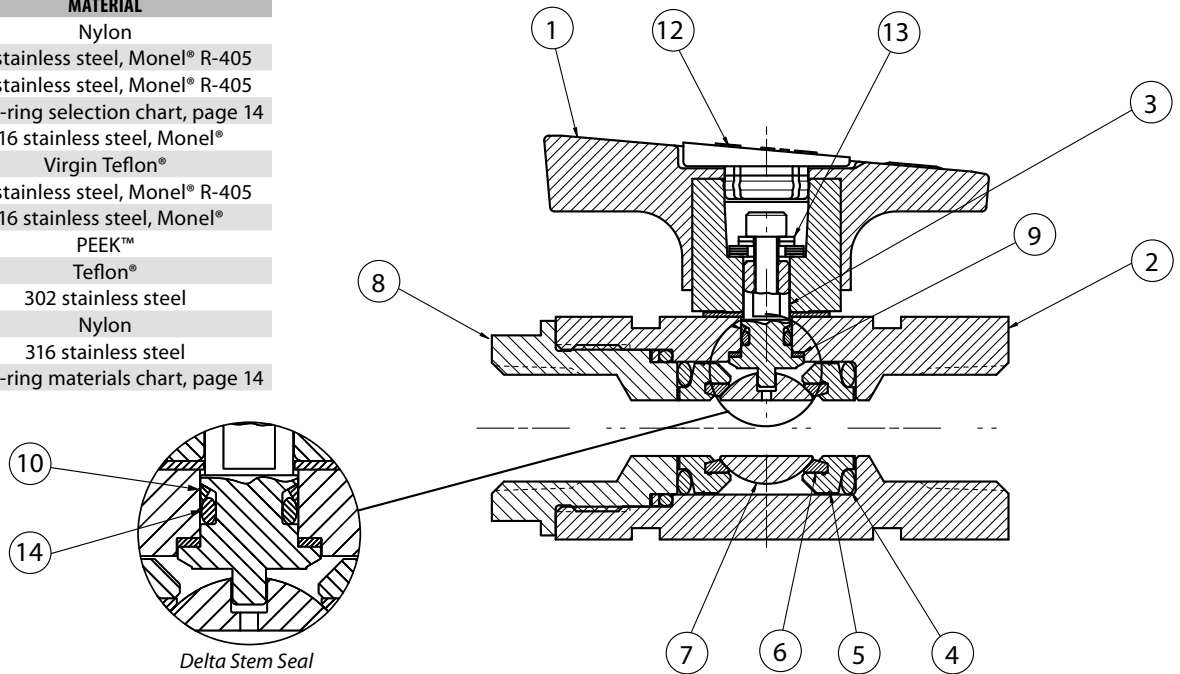
### HOKE Incorporated

405 Centura Court • PO Box 4866 (29305) • Spartanburg, SC 29303  
Phone (864) 574-7966 Fax (864) 587-5608  
www.hoke.com • sales@hoke.com

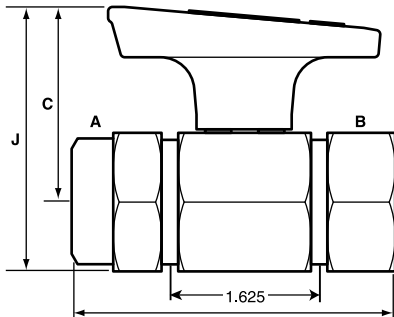
# 7223D Series

## Materials of Construction

DESCRIPTION	MATERIAL
1 Handle	Nylon
2 Body	316 stainless steel, Monel® R-405
3 Stem	316 stainless steel, Monel® R-405
4 O-ring	See O-ring selection chart, page 14
5 Seat retainer	316 stainless steel, Monel®
6 Seat	Virgin Teflon®
7 Ball	316 stainless steel, Monel® R-405
8 Plug	316 stainless steel, Monel®
9 Thrust washer	PEEK™
10 Back-up ring	Teflon®
11 Spring pin	302 stainless steel
12 Hole plug	Nylon
13 Washer	316 stainless steel
14 O-ring	See O-ring materials chart, page 14

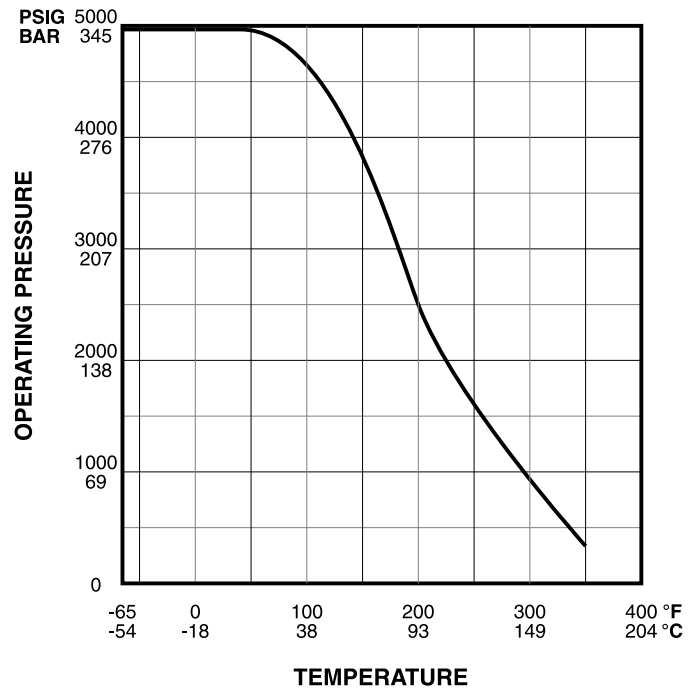


## Dimensions Chart



INLET A & OUTLET B		C	E	J
¾ Female NPT	inch	1¾	3½	2⅝
	mm	48	89	65
½ Female NPT & SAE	inch	1¾	3½	2⅝
	mm	48	89	65
½ Gyrolok®	inch	1¾	4¾	2⅝
	mm	48	124	65
12mm Gyrolok®	inch	1¾	4¾	2⅝
	mm	48	124	65

## Pressure vs. Temperature Curve



# 7223D Series

## How to Order

Standard items in bold

**7223 F 6 Y D 50 EA**

### CONNECTION CONFIGURATION

- F Female NPT
- FS SAE
- G Gyrolok®

### CONNECTION SIZE

- 6 3/8"
- 8 1/2"
- 12 12mm

### BASIC MATERIAL

- M Monel®
- Y 316 stainless steel**

### ACTUATORS—FACTORY ASSEMBLED

(omit for manual valve)

- WA 115 VAC weatherproof
- EA 115 VAC explosion-proof
- WD 24 VDC weatherproof
- NO 90° spring return, normally open
- NC90° spring return, normally closed
- DA90° double acting

### O-RING MATERIAL (refer to chart below)

- 20 Buna N
- 50 Viton®**
- 64 Kalrez®

**D Denotes Delta Stem Seal**

### Actuator & Mounting Kit Part Numbers

OPTION	ACTUATOR	MOUNTING KIT
WA	0112L2	0112K7200
EA	0112Y6	Consult Factory
WD	0172L2	Consult Factory
NO	07L90SR3	LMKT7223
NC 90°	07L90SR3	LMKT7223
DA 90°	07L90DA	LMKT7223



Actuators

### O-Ring Materials

MATERIAL	OPERATING TEMPERATURE	
	°F	°C
Buna N	-65° to +250°	-54° to +121°
Viton®	-20° to +400°	-29° to +204°
Kalrez®	+20° to +400°	-7° to +204°

#### FOR YOUR SAFETY

IT IS SOLELY THE RESPONSIBILITY OF THE SYSTEM DESIGNER AND USER TO SELECT PRODUCTS SUITABLE FOR THEIR SPECIFIC APPLICATION REQUIREMENTS AND TO ENSURE PROPER INSTALLATION, OPERATION AND MAINTENANCE OF THESE PRODUCTS. MATERIAL COMPATIBILITY, PRODUCT RATINGS AND APPLICATION DETAILS SHOULD BE CONSIDERED IN THE SELECTION. IMPROPER SELECTION OR USE OF PRODUCTS DESCRIBED HEREIN CAN CAUSE PERSONAL INJURY OR PROPERTY DAMAGE.

# 7223D Series

## Ordering Options

### Metal Lever Handle

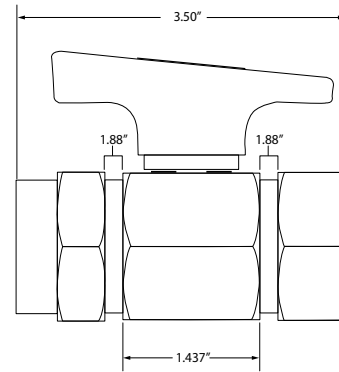
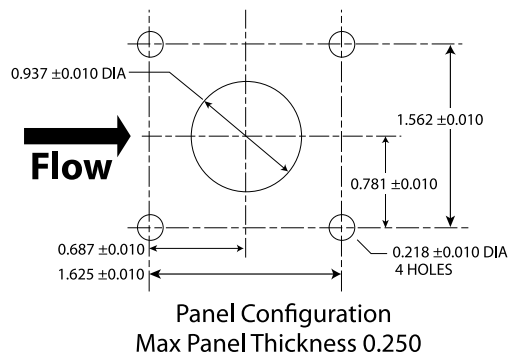
A red metal lever handle is available for the 7223D Series. To order specify 90043-1 with plug button 5982.

### Handle Locking Kit

Safety lockout kits are available for applications which must conform to Code of Federal Regulations 29CFR Part 1910; OSHA Safety and Health Act and other international regulations. Valves can be locked in either an opened or closed position with the stainless steel upper and lower locking plates. Secure the valve with readily available padlocks or commercially available multiple lockout devices. Locking kits include the locking plates and assembly instructions. To order the safety lockout kit for Rotoball® 7223D Series specify kit 7200K7.

### Panel Mounting

To order panel mounting kit, specify 7200K1.



### Electric and Pneumatic Actuators

For remote control of Rotoball® 7223D Series valves, order an electric or pneumatic actuator. Electric actuators are supplied in either 115 VAC or 24 VDC with weatherproof or explosion-proof housings. Pneumatically actuated ball valves incorporating HOKE's rack and pinion actuators can be used for both double acting and spring return applications. Refer to HOKE's *Actuator Catalog* (79005) or contact your local factory-authorized distributor for more details.



Actuators

### Spare Parts

Spare parts and repair kits are available for all ball valves.

Kit includes stem, Delta backup ring, seat and retainer, O-rings, backup ring and thrust washers.

**SP7223D Y 50**

#### MATERIAL

- M Monel® R405
- Y 316 stainless steel

#### O-RING COMPONENT

- 20 Buna N
- 50 Viton®
- 64 Kalrez®

### Cleaning and Testing

When ordering, please specify if oxygen cleaning or helium leak testing is required.